



OKLA 80

Model	Code	Colour	CCT	Lumen
OKLA 80-C-1	LHT 000040	White	5700 k	8950
OKLA 80-N-2	LHT 000054	Natural White	4000 k	8950

Features

Power	80 W	
Supply voltage	90 - 304 Vac 50/60 Hz	
IP Class	IP66	
Light source	36 LED by Nichia	
Temperatura colore LED	C = 5700k	N = 4000k
CRI	1 = CRI 75	2 = CRI 83
Optics	Symmetric 90°	
Ambient temperature range (TA)	-40 C° +60 C°	
Storage temperature range	-40 C° +70 C°	
Storage humidity range	0-95% Rh	
Photobiological risk group EN 62471: 2008	Exempt group	
IEC protection class	Class 1	
Dimension	400x400x77,2 mm	
Weight	5,4 kg	
Median useful life at L70	80.000h	
Surface treatment, color	Cataphoresis, White	
Warranty	5 Year *	

* See terms and conditions

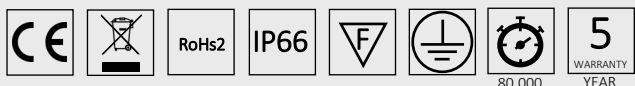
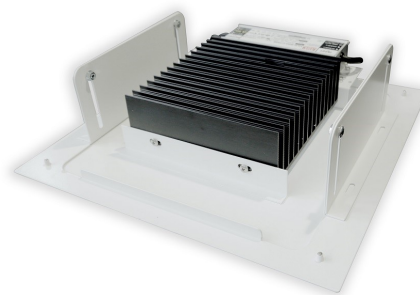
Okla 80 is an excellent solution to illuminate the petrol stations in a safe and comfortable way, the right power and the particular optical to focus the light beam at 90 ° allow adequate and homogeneous lighting, moreover the backward position of LEDs into the reflectors which are obtained by the modellation of metal surface minimizes the glare problem, the painting of the frame with anti-corrosion cataphoresis treatment and the integrated surge protection device (Surge) make the product a lasting good drastically reducing the maintenance cost.

Applications

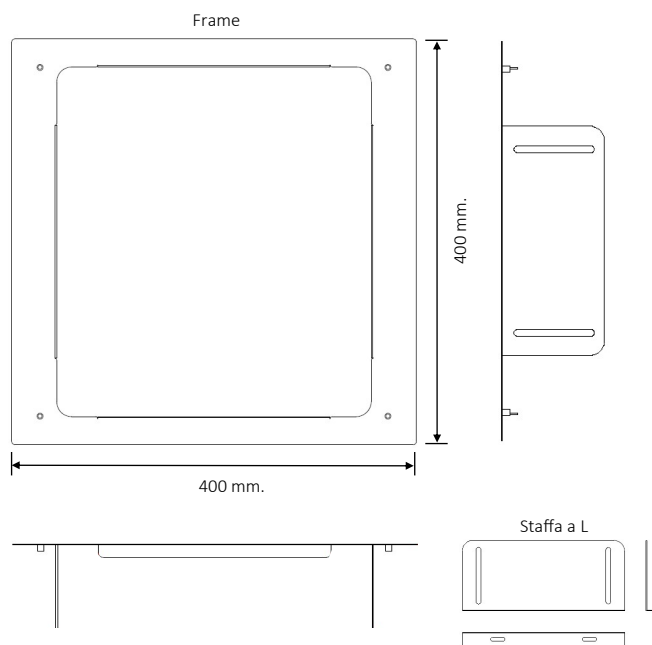
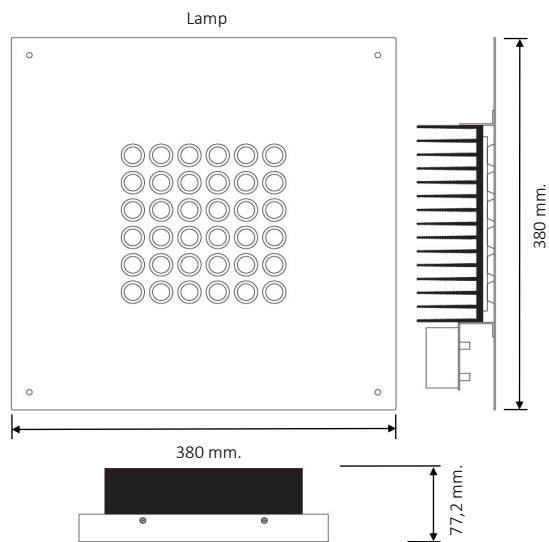
- Petrol stations
- Industrial and commercial areas
- Sport centers

Benefits

- Recessed Luminaire
- Hig efficiency LED with low luminous decay.
- Modern and compact metal structure
- Anti-corrosion cataphoresis treatment
- Quick and safety installation with frame and brackets
- Surges protection
- Anti-glare reflectors
- Symmetric optics

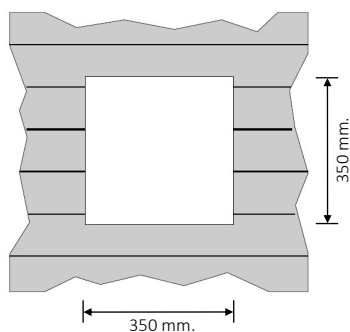


Dimension



Mounting - solution 1

STEP 1 - Drill a square hole on false ceiling, dimension: 350 x 350 mm.



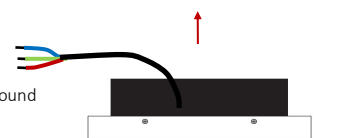
STEP 2 - Insert the frame in the hole (350x350 mm)



STEP 3 - Block the frame on false ceiling with 2 L brackets, then connect the lamp to line 220Vac and fix it to the frame using the screws supplied.

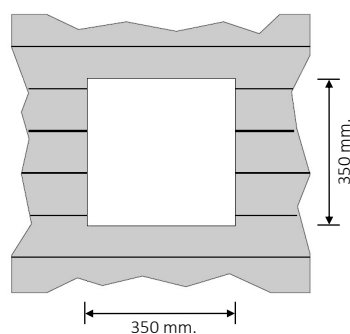


Power 220V
Blue = Neutral
Yellow - Green = Ground
Brown = Phase

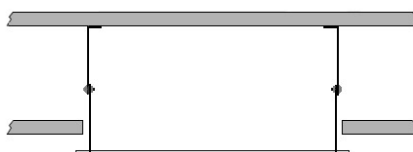


Mounting - solution 2

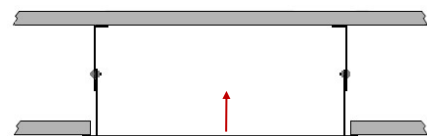
STEP 1 - Drill a square hole on false ceiling, dimension: 350 x 350 mm.



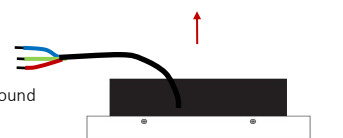
STEP 2 - Insert the frame in the hole (350x350 mm) and fix it to structure using L brackets supplied.



STEP 3 - Push up the frame until lay it to false ceiling and block it by closing the screws, then connect the lamp to line 220Vac and fix it to the frame using the screws supplied.



Power 220V
Blue = Neutral
Yellow - Green = Ground
Brown = Phase



Disclaimer

Data sheet is subject to change without notice. Errors and omission excepted. Always make sure to use the most recent release.