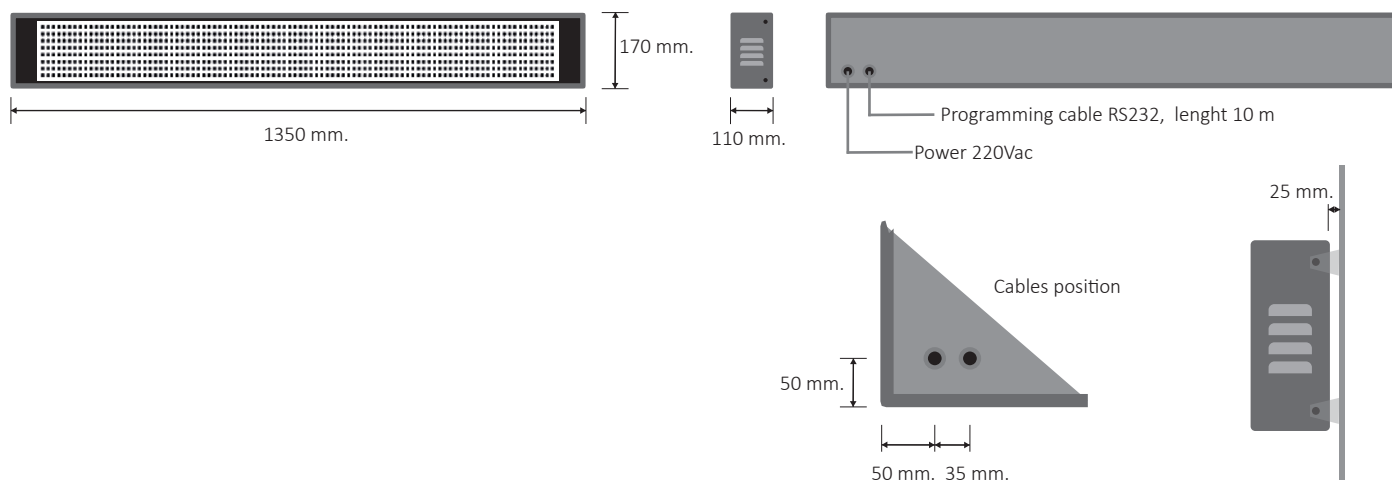


Data Sheet

SINGLE SIDED, SINGLE COLOR


Technical Features

Model	HTM8-1-16 SMD xxx
Operating Voltage	DC 230 Vac 50/60 Hz
Power	130 W
Graphic resolution	96x8 pixel
Characters per page	16
LED pitch	12 mm.
LED per pixel	1
LED type	2835
Dimension	1350 x 170 mm.
Connection mode	RS 232
Text graphics and GIF animations	Yes
Time and date functions	Yes
Programs scheduling	Yes
Page entry and exit effects	Yes
Viewing Angle	120°
Operating temperature range	-20°C ~ +60°C
Storage temperature range	+5°C ~ +40°C
Storage environment humidity	RH < 60%
IP protection	IP 54
LED Life time	80.000h *
Warranty (Download terms and conditions pdf)	3 Years

Description

Single face single color LED panel, suitable for messaging. Consisting of the aluminum box with dimensions as per drawing above.

Panel suitable for outdoor installation, functioning independently, the brightness is controlled by a bright sensor. The panel can display text, graphics and GIF animations. The PC programming software is included.

Positioning and fixing

The box is equipped with side threaded holes for wall mounting, use the L-shaped brackets supplied.

Model	Color	Code
HTM8-1-16 SMD Monofacciale rosso	Red	G 100 000304
HTM8-1-16 SMD Monofacciale ambra	Amber	G 100 000376
HTM8-1-16 SMD Monofacciale bianco	White	G 100 000320
HTM8-1-16 SMD Monofacciale verde	Green	G 100 000274

LED characteristic

Color	Luminosity
White 6500k	3200 MCD
Amber	2270 MCD
Red	1000 MCD
Green	1200 MCD

