


Model	Code	Colour	CCT / λ
HM30LAD-1W12	HTL 000319	White	6500/7000 k
HM30LAD-1WW1	HTL 000200	Warm white	2700/3200 k

Features

Module operating Voltage	DC 12V
Wattage (W/Module)	1,8W
International protection level	IP65
Operating temperature range	-30 C° ~ +60 C°
Storage temperature range	+30 C° ~ +70 C°
Storage environment humidity	RH < 60%
IEC protection class (with SELV power supply)	Class III
Distance (Centre Module / Module)	160 mm.
Viewing angle	56° x 12°
Life time (temperature Tc = 75 °C)	50.000h (L70)
Chain (No. Modules)	30 pcs
Bag (No. Modules)	60 pcs
Warranty (See terms and conditions)	 5 Years

Applications

- Textile or methacrylate light boxes.
- Backlighting for double-sided light boxes.
- LED modules for perimetral installation.
- Architectural and decorative applications.

Benefits

- LED module with special optic 56°/12°, the particular light diffusion makes it suitable for double-sided light boxes.
- The excellent heat dissipation performed by the module aluminium base reduces light degradation and chromatic deviation.
- Module con stabilizzatore di corrente integrato.
- Module with integrated current stabilizer.
- Production date is printed inside of module for the traceability.
- The fixing holes and the adhesive allow a quick installation process.
- Fully encapsulated LED module.



RoHS



Electrical Datas

Model	Nominal voltage	Voltage range	Accidental reverse input voltage protection up to	Nominal wattage per chain	Nominal wattage per module
HM30LAD-1W12	12 VDC	11...13 VDC	13 VDC	54 W	1,8 W
HM30LAD-1WW12	12 VDC	11...13 VDC	13 VDC	54 W	1,8 W

Photometrical Datas

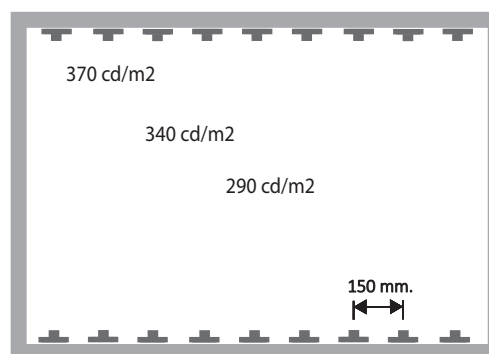
Model	Colour	Colour temperature	Color rendering index	Typical luminous flux	Typical luminous efficiency
HM30LAD-1W12	White	6500K / 7000K	> 80	158 Lm	87,7 Lm/W
HM30LAD-1WW12	Warm white	2700K / 3200K	> 80	153 Lm	85 Lm/W

Modules positioning

Example of 1500x1000mm box. with perimetral lighting generated by 18 modules.

3 mm opal methacrylate as a finish.

Indication of luminance (cd / m²) measured in 3 positions of the methacrylate surface.

**This product comply with the following European Standard:**

EMC - Directive 2014/30/EU

EN 55015:2013/A1:2015

EN 61547:2009

RoHS - Directive 2011/65/EU

IEC 62031

General safety requirement for luminaires

EN 60598-2-20:2015 used in conjunction with EN 60598-1:2015+A1:2018

EN 62031:2020. IEC TR 62778:2014

IP protection

IEC 60529:1989+A1:1999+A2:2013