


Model	Code	Colour	CCT / λ
HM100-1W12	HTL 000726	White	6500 k

Features

Module operating Voltage	DC 12V
Wattage (W/Module)	1 W
International protection level	IP66 / IP67
Operating temperature range	-40 C° ~ +60 C°
Storage temperature range	+5 C° ~ +40 C°
Storage environment humidity	RH < 60%
IEC protection class (with SELV power supply)	Class III
Distance (Centre Module / Module)	110 mm.
Viewing angle	165°
Life time (temperature Tc = 75 °C)	50.000h (L70)
Consistent white light	< 3 SDCM
Chain (No. Modules)	50 pcs
Bag (No. Modules)	100 pcs
Warranty (See terms and conditions)	 5 Years

Description

The new "GEMMA" series includes a wide range of LED modules for sign lighting. The exclusive optics with prisms, the high efficiency LEDs and low luminous decay, allow to reduce the quantity of modules required per square meter compared to common modules and to illuminate in a homogeneous and efficient way with significant energy saving.

The innovative sturdy structure and the facilitated removal of adhesive protection, significantly reduce installation and maintenance costs.

Applications

- Medium size channel letters illumination.
- Backlighting of single sided light boxes, depth 40 to 120 mm.
- Luminous walls and ceilings.
- Architectural and decorative applications.

Benefits

- The new prismatic optics not only optimally diffuse the light, but it minimize the dispersion allowing a conspicuous increasing of the efficiency and luminous homogeneity.
- The 3M VHB adhesive with the special protective film removal tab offers greater security and speed in fixing operations, contributing to cost reduction.
- Consistent white light 3-step MacAdam.
- Color rendering index Ra: >80.
- Production date is marked on back of module for traceability.



RoHS



Data sheet

Electrical Datas

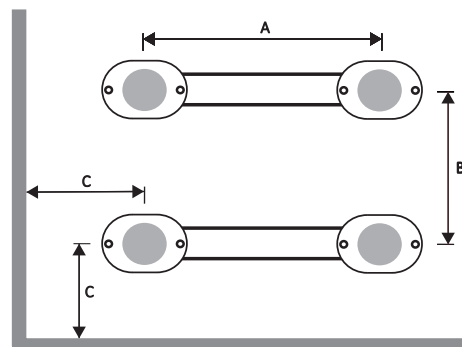
Model	Nominal voltage	Voltage range	Accidental reverse input voltage protection up to	Nominal wattage per chain	Nominal wattage per module
HM100-1W12	12 VDC	11...13 VDC	13 VDC	50 W	1,0 W

Photometrical Datas





Model	Colour	Colour temperature	Color rendering index	Typical luminous flux	Typical luminous efficiency
HM100-1W12	White	6500 k ±5%	> 80	98 Lm	98 Lm/W

Modules positioning (approximate indications)

Light box depth	A	B	C
40 mm.	80 mm.	80 mm.	40 mm.
50 mm.	100 mm.	100 mm.	50 mm.
60 mm.	110 mm.	120 mm.	60 mm.
80 mm.	110 mm.	180 mm.	90 mm.
90 mm.	110 mm.	200 mm.	100 mm.
100 mm.	110 mm.	240 mm.	120 mm.
120 mm.	110 mm.	260 mm.	130 mm.



This product comply with the following European Standard: (download pdf)

-  EMC - Directive 2014/30/EU
EN 55015:2013/A1:2015
EN 61547:2009
-  General safety requirement for luminaires
EN 60598-2-20:2015 used in conjunction with EN 60598-1:2015+A1:2018
EN 62031:2020. IEC TR 62778:2014
-  RoHS - Directive 2011/65/EU
IEC 62031
-  IP protection
IEC 60529:1989+A1:1999+A2:2013