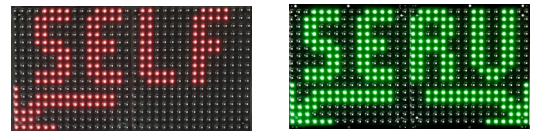
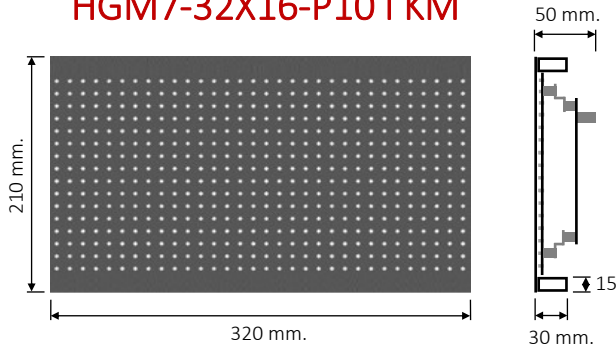


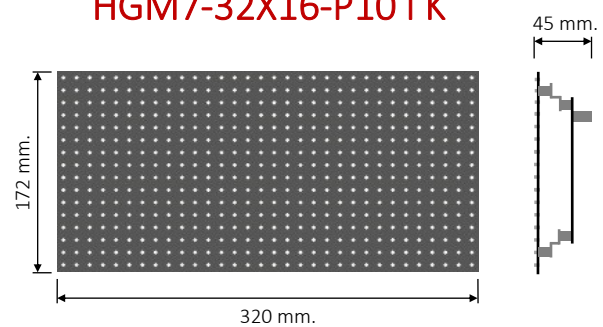
LED graphic panel for 7 colors messages



HGM7-32X16-P10 i KM



HGM7-32X16-P10 i K



Features

Operating Voltage:	DC 5V (power supply INPUT 220Vac)
Max Power Consumption, all LEDs ON:	77 W
Risolution:	32X16 pixel
LED pitch:	10 mm
LED per pixel:	1
Screen dimension:	320X210 mm. - 320X172 mm.
Colors:	7
LED quantity:	512
LED type:	RGB
Viewing angle	120°
Operating Temperature Range	-40 C° ~ +70 C°
Temperatura di stoccaggio	+5 C° ~ +40 C°
Storage Enviroment Humidity	RH < 60%
Life Time (temperature T _c = 75 °C)	100.000h (L70)
Warranty	3 Year *

*See terms and conditions

Models

Code	Model	Details
G 100 000346	HGM7-32X16-P10 i KM	With Front Panel protection , the LED modules are mounted on aluminium bars
G 100 000347	HGM7-32X16-P10 i K	Without Front Panel protection, the modules are supplied loose

LED graphic panel for 7 colors service messaging, suitable for installation in mini totems for petrol station. It can work in conjunction with the DIS series or HDP series of fuel price displays and the brightness is synchronized.

in case of stand-alone installation, the brightness sensor must be added.

Message effect during insertion can be static, scrolling, curtain, fade and many others.

The main messages such as: SELF, SERV, CLOSED, OPEN, STATIC ARROWS or ANIMATED ARROWS, RIGHT, LEFT or BOTH are already stored in the memory of the **GRGB** controller and they can be recalled with the **RDC** remote control (when it is connected to LED fuel prices display) or through the connection to the PC (where required by the communication protocol).

You can also customize any additional messages with different graphics.

A message can consist of several colors (7 max.).

Note:

INCLUDED: Own wires

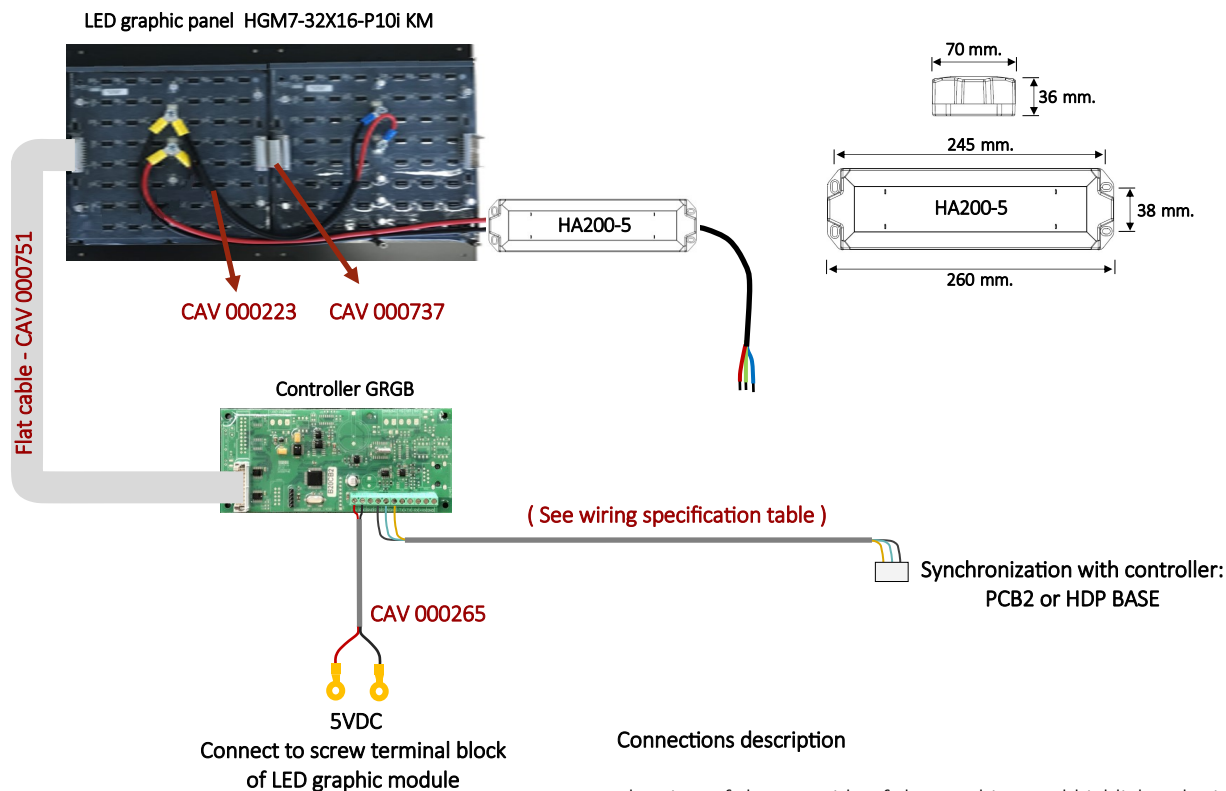
INCLUDED: Controller: GRGB

NOT INCLUDED: Power supply: HA200-5

NOT INCLUDED: Synk cable for PCB2 and HDP BASE



Connections



Connections description

The view of the rear side of the graphic panel highlights the interconnections between the LED graphic modules, the power supply and the GRGB controller.

The GRGB controller is placed behind the graphic panel and it is connected by the flat cable CAV 000751 and the power cable CAV 000265 while the cable (See wiring table) for synchronization must be connected to the controller PCB2 or HDP BASE if any.

The power supply ALI 000208 is not included as standard equipment. It is wired with a meter of cable with ring terminals to be connected to the LED graphic panel.

Programming by PC

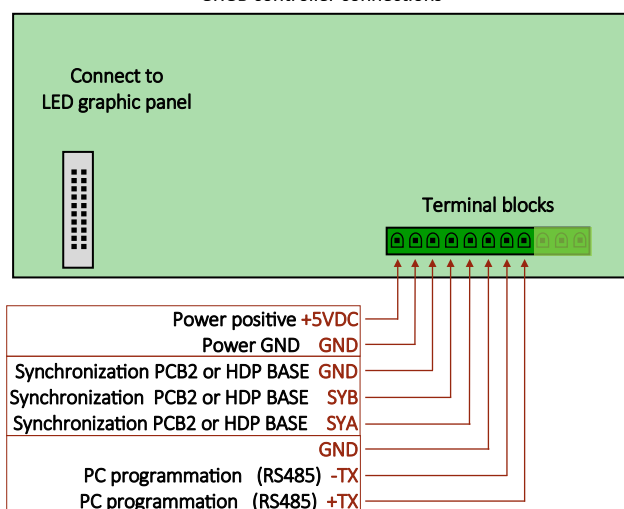
PC programming allows total control of the LED graphic panel functions as: creation of messages and programs, text pages, graphic pages, presentation effects, pages such as scrolling, curtain, fading, etc.

You can also modify the graphics of the character set, for example by creating characters in Cyrillic, Arabic or others.

The connection to the PC requires the addition of TCP/IP interface and the category 5 LAN cable.

The LED PROG programming software is available free of charge.

GRGB controller connections



Power supply - specifications

Code	ALI 000208
Model	HA200-5
Standard equipment	NOT INCLUDED
INPUT voltage	175 - 264 Vac
OUTPUT voltage	5 VDC
Power	200 W
PFC @230Vac 80% load	≥0.91
Overvoltage protection (Surge)	L-N 4KV L/N-GE6kV
Overload protection (OLP)	110-120% nominal power
Over voltage protection (OTP)	115° C; automatic restart
Other protections available	Short circuit
IP Class	IP65
CE	RMC - EN 55032/22 Classe A, LDV - EN 60950
Operating Temperature Range	-30° + 55° C (at 70°C = max. load 50%)
Dimension	260*70*36mm (LWH)
INPUT Cable	400 mm ; pre-tinned wires termination
OUTPUT Cable	1000 mm ; eyelet termination

Wiring - specifications

Code	Lenght	Standard Equipment	Description
Cod. CAV 000751	180 mm.	INCLUDED	20-pole flat cable with 2 connectors to connect the led graphic panel to the GRGB controller.
Cod. CAV 000265	180 mm.	INCLUDED	Power cable for connecting the GRGB controller to the screw terminal block of LED graphic module.
Cod. CAV 000737	40 mm.	INCLUDED	20-pole flat cable with 2 connectors for the interconnection between the LED graphic modules.
Cod. CAV 000223	260 mm.	INCLUDED	2,5 mmq red-black wiring for power, with eyelet termination for the interconnection between 2 LED graphic modules
Cod. CAV 000622	4200 mm.	NOT INCLUDED	Cable for synchronization with PCB2 controller
Cod. CAV 000738	1000 mm.	NOT INCLUDED	Cable for synchronization with PCB2 controller
Cod. CAV 000360	1500 mm.	NOT INCLUDED	Cable for synchronization with HDP BASE controller

Programming



RDC REMOTE CONTROL

Radio remote control, range 10-50m,

Function: Selection of available stored messages.

IT CAN WORK ONLY IN COMBINATION WITH PCB2 OR HDP BASE.



KEYBOARD CT100

LCD Keyboard, wired connection (LAN cables not included).

Function: Selection of available stored messages.

IT CAN WORK ONLY IN COMBINATION WITH PCB2 OR HDP BASE.



PC - WIRELESS CONNECTION

Wireless connection, programming by PC.

Function: PC programming with LED PROG software, text messages and graphic messages.



PC - WIRED CONNECTION

RS422 to USB converter.

Function: PC programming with LED PROG software, text messages and graphic messages.



POS - WIRELESS CONNECTION

Radio frequency control unit for programming with the communication protocols.

Function: Selection of available stored messages.

IT CAN WORK ONLY IN COMBINATION WITH PCB2 OR HDP BASE.

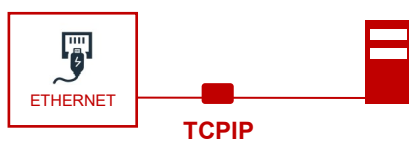


APP

Programming with smartphone, it needs to interpose the TCPIP interface between the LED price system and a WIFI ROUTER. Install the Android platform application Hitechled on your smartphone or tablet.

The use of the remote control is superimposable.

Function: Selection of available stored messages, modification stored text messages.



ETHERNET

TCPIP interface has 2 ports: RJ45 port for connection to local net, RS485 port for connection to LED panel. Static IP address.

Accessories



RDC



CT100



CONV_SU01



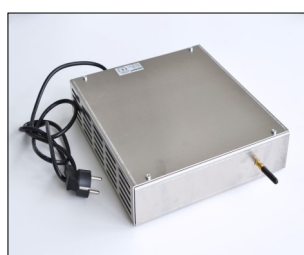
TCPIP



WT868



WR868



CUPW868



YAGI868

CODE	MODEL	DESCRIPTION	CODE	MODEL	DESCRIPTION
D 100 001032	RDC	Remote Control	D 100 002285	YAGI868	Antenna Yagi
D 100 002322	CT100	LCD Keyboard	D 100 002271	WT868	Tx Radiomodem
O 100 003023	TCPIP	RS485/USB - LAN Interface	D 100 002272	WR868	Rx Radiomodem
D 100 002164	CUPW868	Wireless Control Unit	D 100 002200	CONV_SU01	USB - RS422 Converter

Disclaimer - Data sheet subject to change without notice. Errors and omission excepted. Always make sure to use the most recent release.