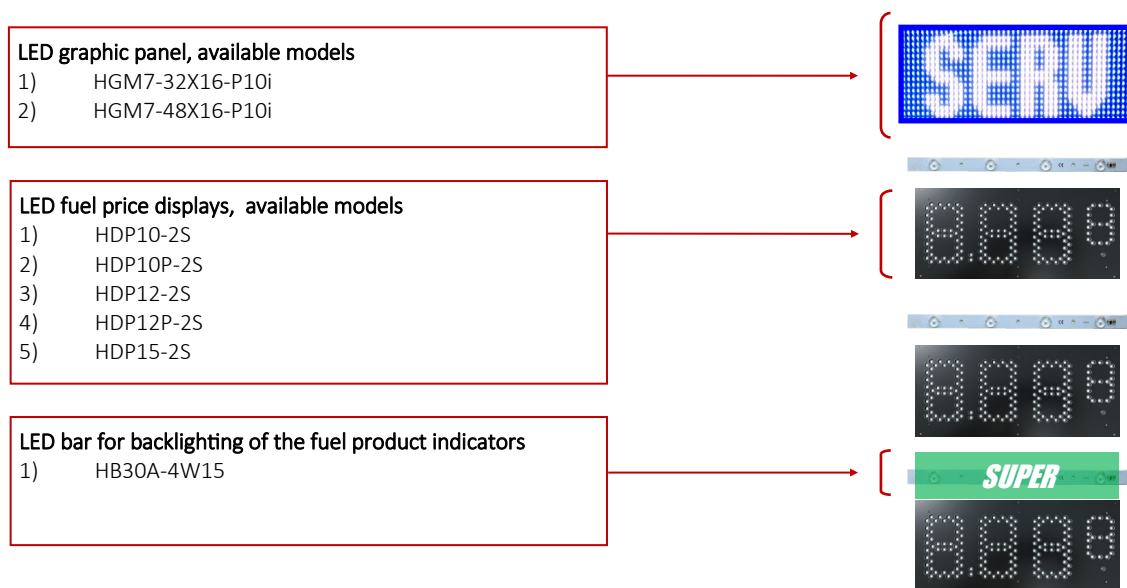


Description

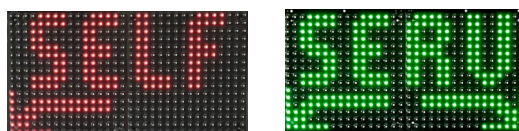
HDP COMPACT is a complete LED system for displaying the fuel prices and the service messages moreover the backlighting of fuel product indicators. Its compactness and reduced thickness make it suitable for integration into the single-sided and double-sided mini totems for petrol station. The range of available LED fuel price displays includes the following sizes: 10 cm., 12 cm., and 15 cm character height, LED bars with optics for the backlighting of the product indicator and the LED graphic panel for 7 colors service messages. The very simple and intuitive wiring allows for quick and safe installation.

All system functions are controlled by a single "PG BASE" controller whose functions are:

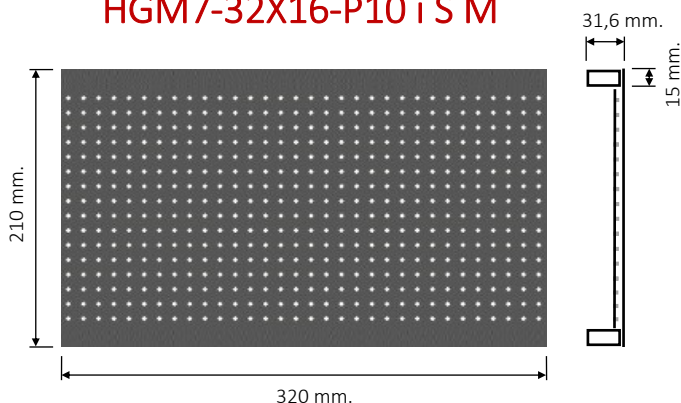
- Control of **7 colors LED graphic panel**.
- Control of the various **LED fuel price displays** (maximum 4 displays per side).
- Control of the **LED bar** for backlighting of the product indicators.
- Communication with **PC** (all communication protocols available) and **RDC remote control**.
- Automatic brightness adjustment for all system.



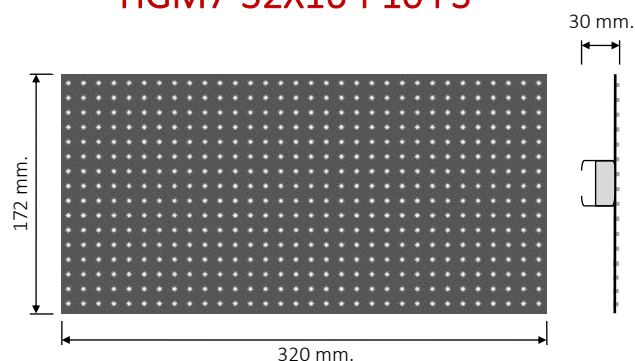
LED graphic panel for 7 colors messages



HGM7-32X16-P10 i S M



HGM7-32X16-P10 i S



Features

Operating Voltage:	DC 5V (power supply INPUT 220Vac)
Max Power Consumption, all LEDs ON:	77 W
Risolution:	32X16 pixel
LED pitch:	10 mm
LED per pixel:	1
Screen dimension:	320X210 mm. - 320X172 mm.
Colors:	7
LED quantity:	512
LED type:	RGB
Viewing angle	120°
Operating Temperature Range	-40 C° ~ +70 C°
Temperatura di stoccaggio	+5 C° ~ +40 C°
Storage Enviroment Humidity	RH < 60%
Life Time (temperature T _c = 75 °C)	100.000h (L70)
Warranty	3 Year *

*See terms and conditions

Models

Code	Model	Details
G 100 000341	HGM7-32X16-P10 i S M	With Front Panel protection , the LED modules are mounted on aluminium bars
G 100 000321	HGM7-32X16-P10 i S	Without Front Panel protection, the modules are supplied loose

LED graphic panel for 7 colors service messaging, suitable for installation in mini totems for petrol station. It can work in conjunction with the HDP-2S series fuel price displays, the brightness is synchronized.

Messages can be static, scrolling or other page appearance effects such as curtain, insertion, fade ...

The main messages such as: SELF, SERV, CLOSED, OPEN, STATIC ARROWS or ANIMATED ARROWS, RIGHT, LEFT or BOTH are already stored in the memory of the **PG BASE** controller and they can be recalled with the **RDC** remote control (same used for prices display) or through the connection to the PC (where required by the communication protocol).

You can also customize any additional messages with different graphics.

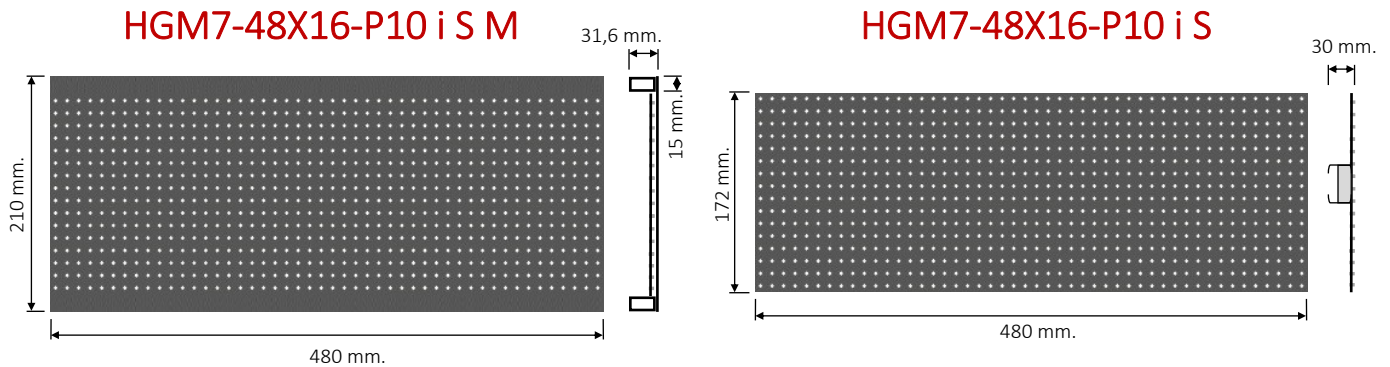
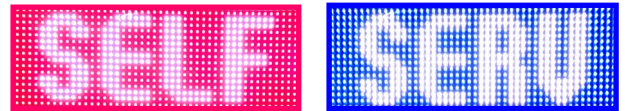
A message can consist of several colors (7 max.).

INCLUDED: Own wiring

NOT INCLUDED: Controller PGBASE

NOT INCLUDED: Power supply HA200-5

LED graphic panel for 7 colors messages



Caratteristiche Tecniche

Operating Voltage:	DC 5V (power supply INPUT 220Vac)
Max Power Consumption, all LEDs ON:	115 W
Risolution:	48X16 pixel
LED pitch:	10 mm
LED per pixel:	1
Screen dimension:	480X210 mm. - 480X172mm.
Colors:	7
LED quantity:	768
LED type:	RGB
Viewing angle	120°
Operating Temperature Range	-40 C° ~ +70 C°
Temperatura di stoccaggio	+5 C° ~ +40 C°
Storage Enviroment Humidity	RH < 60%
Life Time (temperature T _c = 75 °C)	100.000h (L70)
Warranty	3 Year *

*See terms and conditions

Models

Code	Model	Details
G 100 000343	HGM7-48X16-P10 i S M	With Front Panel protection , the LED modules are mounted on aluminium bars
G 100 000342	HGM7-48X16-P10 i S	Without Front Panel protection, the modules are supplied loose

LED graphic panel for 7 colors service messaging, suitable for installation in mini totems for petrol station. It can work in conjunction with the HDP-2S series fuel price displays, the brightness is synchronized.

Messages can be static, scrolling or other page appearance effects such as curtain, insertion, fade ...

The main messages such as: SELF, SERV, CLOSED, OPEN, STATIC ARROWS or ANIMATED ARROWS, RIGHT, LEFT or BOTH are already stored in the memory of the **PG BASE** controller and they can be recalled with the **RDC** remote control (same used for prices display) or through the connection to the PC (where required by the communication protocol).

You can also customize any additional messages with different graphics.

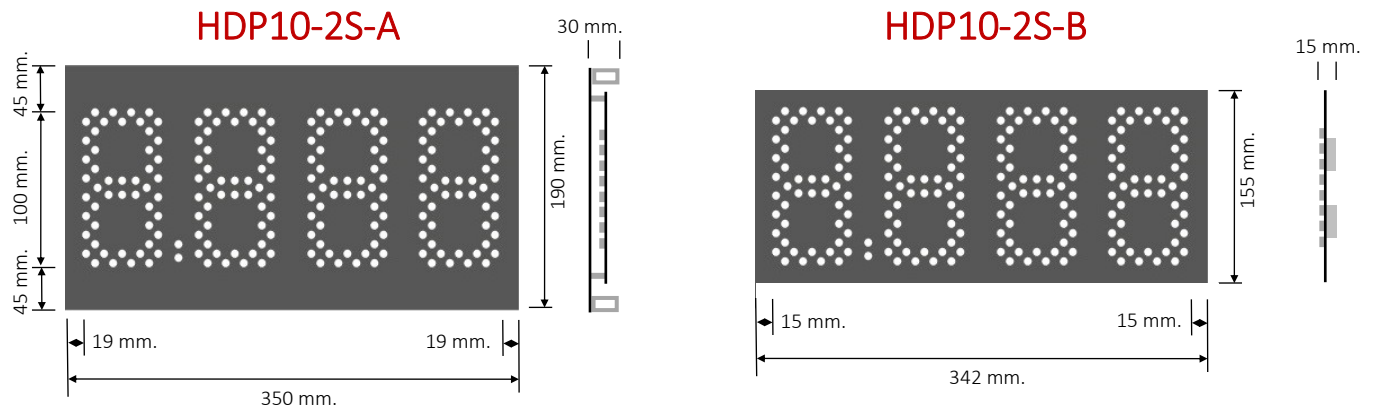
A message can consist of several colors (7 max.).

INCLUDED: Own wiring

NOT INCLUDED: Controller PGBASE

NOT INCLUDED: Power supply HA200-5

LED fuel price display



Features

Operating Voltage	DC 15V
Max Power Consumption	12,2 W
IP Class	IP52
Operating Temperature Range	-40 C° ~ +70 C°
Storage Temperature Range	+5 C° ~ +40 C°
Storage Environment Humidity	RH < 60%
Viewing Angle	120°
Life Time (temperature T _c = 75 °C)	100.000h (L70)
No. LED	173
Warranty	3 Year *

*See terms and conditions

Models

Code	Model	Details
D 100 002470	HDP10-2S-A-WSMD-4	With Front Panel , White LED
D 100 002471	HDP10-2S-A-RSMD-4	With Front Panel , Red LED
D 100 002472	HDP10-2S-A-ASMD-4	With Front Panel , Amber LED
D 100 002473	HDP10-2S-A-GSMD-4	With Front Panel , Green LED
D 100 002474	HDP10-2S-B-WSMD-4	Without Front Panel , White LED
D 100 002475	HDP10-2S-B-RSMD-4	Without Front Panel , Red LED
D 100 002476	HDP10-2S-B-ASMD-4	Without Front Panel , Amber LED
D 100 002477	HDP10-2S-B-GSMD-4	Without Front Panel , Green LED

Description

Display with 4 digits 100mm. SMD LEDs suitable for continuous operation 24h / day and exposure to UV sunlight. Printed Circuit Boards is coated with a special silicone resin whose formula keeps it elastic over time avoiding cracks and infiltrations of humidity, the front panel is thermo-insulated and resistant to sunlight, for LED and components protection.

INCLUDED: Display and cable CAV 000 722

NOT INCLUDED: Controller PGBASE

NOT INCLUDED: Power supply 15VDC

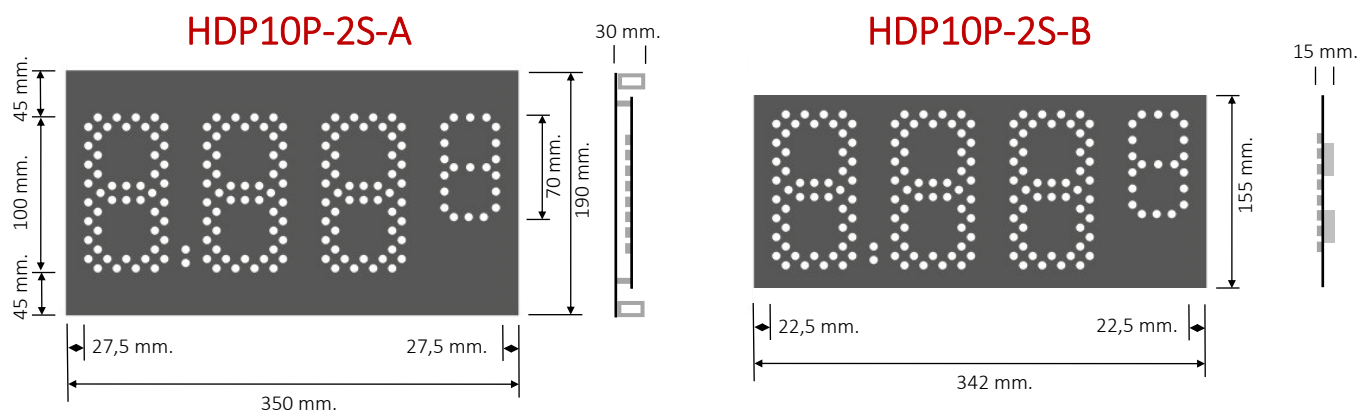
NOTE: The version without front panel protection is recommended only for applications where the front panel consists of a perforated film applied to the plexiglass or a panel perforated by the Customer, for the drilling file corresponding to the LEDs, please contact our technical office.

LED color and luminosity

LED SMD Color	Lumiosity
White 6500k	3200 MCD
Amber	2270 MCD
Red	1000 MCD
Green	1200 MCD



LED fuel price display



Features

Operating Voltage	DC 15V
Max Power Consumption	9,3W
IP Class	IP52
Operating Temperature Range	-40 C° ~ +70 C°
Storage Temperature Range	+5 C° ~ +40 C°
Storage Environment Humidity	RH < 60%
Viewing Angle	120°
Life Time (temperature T _c = 75 °C)	100.000h (L70)
No. LED	173
Warranty	3 Year *

*See terms and conditions

Models

Code	Model	Details
D 100 002478	HDP10P-2S-A-WSMD-4	With Front Panel , White LED
D 100 002479	HDP10P-2S-A-RSMD-4	With Front Panel , Red LED
D 100 002480	HDP10P-2S-A-ASMD-4	With Front Panel , Amber LED
D 100 002481	HDP10P-2S-A-GSMD-4	With Front Panel , Green LED
D 100 002482	HDP10P-2S-B-WSMD-4	Without Front Panel , White LED
D 100 002483	HDP10P-2S-B-RSMD-4	Without Front Panel , Red LED
D 100 002484	HDP10P-2S-B-ASMD-4	Without Front Panel , Amber LED
D 100 002485	HDP10P-2S-B-GSMD-4	Without Front Panel , Green LED

Description

Display with 3 digits 100mm height and the right-most digit 70 mm height. SMD LEDs suitable for continuous operation 24h / day and exposure to UV sunlight. Printed Circuit Boards is coated with a special silicone resin whose formula keeps it elastic over time avoiding cracks and infiltrations of humidity, the front panel is thermo-insulated and resistant to sunlight, for LED and components protection.

INCLUDED: Display and cable CAV 000 722

NOT INCLUDED: Controller PGBASE

NOT INCLUDED: Power supply 15VDC

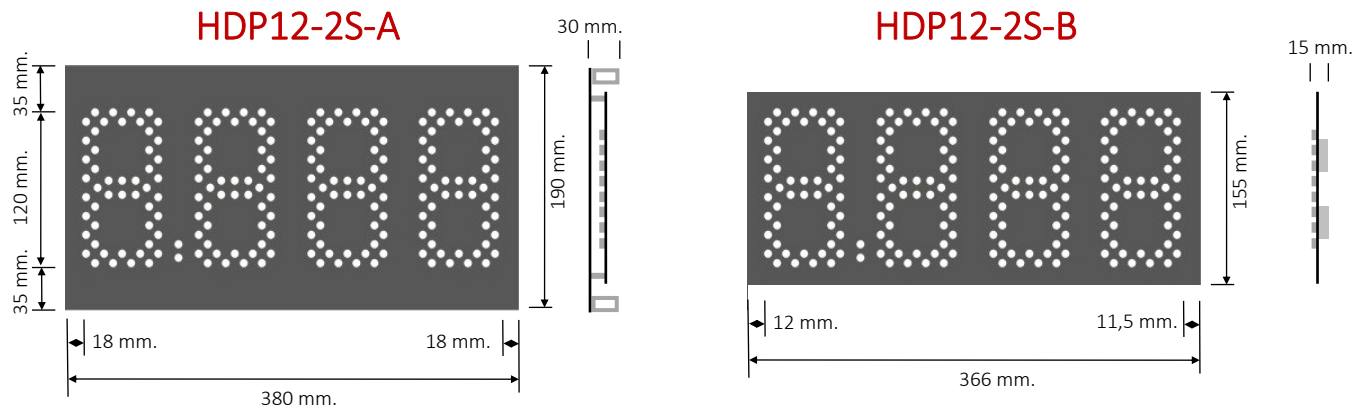
NOTE: The version without front panel protection is recommended only for applications where the front panel consists of a perforated film applied to the plexiglass or a panel perforated by the Customer, for the drilling file corresponding to the LEDs, please contact our technical office.

LED color and luminosity

LED SMD Color	Lumisosity
White 6500k	3200 MCD
Amber	2270 MCD
Red	1000 MCD
Green	1200 MCD



LED fuel price display



Features

Operating Voltage	DC 15V
Max Power Consumption	12,2 W
IP Class	IP52
Operating Temperature Range	-40 C° ~ +70 C°
Storage Temperature Range	+5 C° ~ +40 C°
Storage Environment Humidity	RH < 60%
Viewing Angle	120°
Life Time (temperature T _c = 75 °C)	100.000h (L70)
No. LED	173
Warranty	3 Year *

*See terms and conditions

Models

Code	Model	Details
D 100 002486	HDP12-2S-A-WSMD-4	With Front Panel , White LED
D 100 002487	HDP12-2S-A-RSMD-4	With Front Panel , Red LED
D 100 002488	HDP12-2S-A-ASMD-4	With Front Panel , Amber LED
D 100 002489	HDP12-2S-A-GSMD-4	With Front Panel , Green LED
D 100 002490	HDP12-2S-B-WSMD-4	Without Front Panel , White LED
D 100 002491	HDP12-2S-B-RSMD-4	Without Front Panel , Red LED
D 100 002492	HDP12-2S-B-ASMD-4	Without Front Panel , Amber LED
D 100 002493	HDP12-2S-B-GSMD-4	Without Front Panel , Green LED

Description

Display with 4 digits 120mm height. SMD LEDs suitable for continuous operation 24h / day and exposure to UV sunlight. Printed Circuit Boards is coated with a special silicone resin whose formula keeps it elastic over time avoiding cracks and infiltrations of humidity, the front panel is thermo-insulated and resistant to sunlight, for LED and components protection.

INCLUDED: Display and cable CAV 000 722

NOT INCLUDED: Controller PGBASE

NOT INCLUDED: Power supply 15VDC

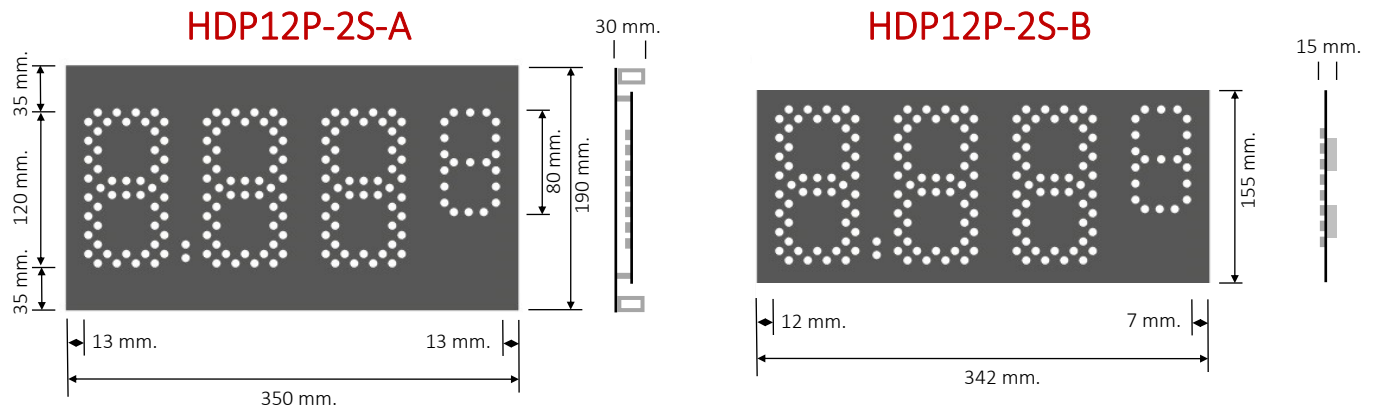
NOTE: The version without front panel protection is recommended only for applications where the front panel consists of a perforated film applied to the plexiglass or a panel perforated by the Customer, for the drilling file corresponding to the LEDs, please contact our technical office.

LED color and luminosity

LED SMD Color	Luminosity
White 6500k	3200 MCD
Amber	2270 MCD
Red	1000 MCD
Green	1200 MCD



LED fuel price display



Features

Operating Voltage	DC 15V
Max Power Consumption	9,3W
IP Class	IP52
Operating Temperature Range	-40 C° ~ +70 C°
Storage Temperature Range	+5 C° ~ +40 C°
Storage Environment Humidity	RH < 60%
Viewing Angle	120°
Life Time (temperature T _c = 75 °C)	100.000h (L70)
No. LED	173
Warranty	3 Year *

*See terms and conditions

Models

Code	Model	Details
D 100 002494	HDP12P-2S-A-WSMD-4	With Front Panel , White LED
D 100 002495	HDP12P-2S-A-RSMD-4	With Front Panel , Red LED
D 100 002496	HDP12P-2S-A-ASMD-4	With Front Panel , Amber LED
D 100 002497	HDP12P-2S-A-GSMD-4	With Front Panel , Green LED
D 100 002387	HDP12P-2S-B-WSMD-4	Without Front Panel , White LED
D 100 002498	HDP12P-2S-B-RSMD-4	Without Front Panel , Red LED
D 100 002499	HDP12P-2S-B-ASMD-4	Without Front Panel , Amber LED
D 100 002500	HDP12P-2S-B-GSMD-4	Without Front Panel , Green LED

Description

Display with 3 digits 120mm height and the right-most digit 80 mm height. SMD LEDs suitable for continuous operation 24h / day and exposure to UV sunlight. Printed Circuit Boards is coated with a special silicone resin whose formula keeps it elastic over time avoiding cracks and infiltrations of humidity, the front panel is thermo-insulated and resistant to sunlight, for LED and components protection.

INCLUDED: Display and cable CAV 000 722

NOT INCLUDED: Controller PGBASE

NOT INCLUDED: Power supply 15VDC

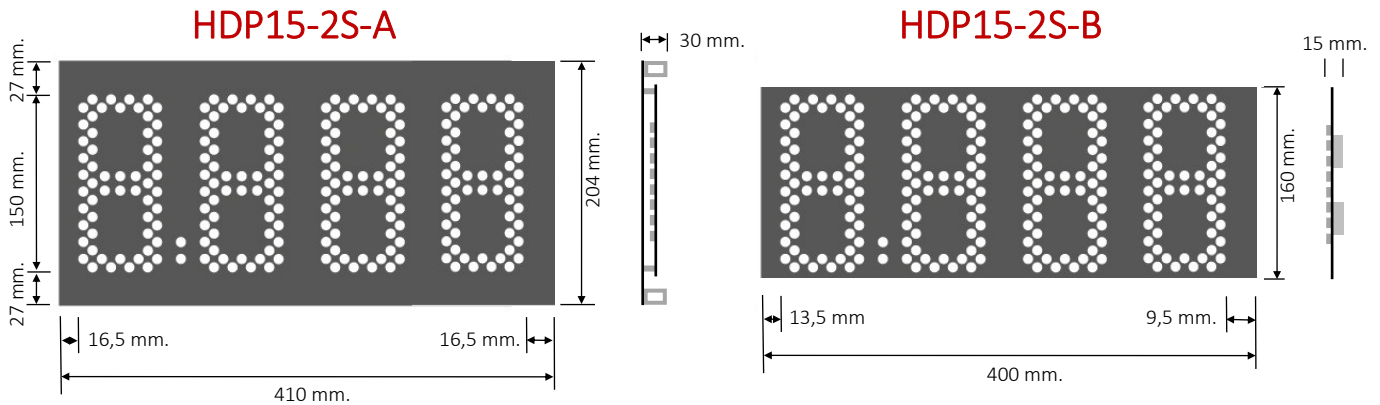
NOTE: The version without front panel protection is recommended only for applications where the front panel consists of a perforated film applied to the plexiglass or a panel perforated by the Customer, for the drilling file corresponding to the LEDs, please contact our technical office.

LED color and luminosity

LED SMD Color	Luminosity
White 6500k	3200 MCD
Amber	2270 MCD
Red	1000 MCD
Green	1200 MCD



LED fuel price display



Features

Operating Voltage	DC 15V
Max Power Consumption	16W
IP Class	IP52
Operating Temperature Range	-40 C° ~ +70 C°
Storage Temperature Range	+5 C° ~ +40 C°
Storage Environment Humidity	RH < 60%
Viewing Angle	120°
Life Time (temperature T _c = 75 °C)	100.000h (L70)
No. LED	234
Warranty	3 Year *

*See terms and conditions

Models

Code	Model	Details
D 100 002501	HDP15-2S-A-WSMD-4	With Front Panel , White LED
D 100 002502	HDP15-2S-A-RSMD-4	With Front Panel , Red LED
D 100 002503	HDP15-2S-A-ASMD-4	With Front Panel , Amber LED
D 100 002504	HDP15-2S-A-GSMD-4	With Front Panel , Green LED
D 100 002505	HDP15-2S-B-WSMD-4	Without Front Panel , White LED
D 100 002506	HDP15-2S-B-RSMD-4	Without Front Panel , Red LED
D 100 002507	HDP15-2S-B-ASMD-4	Without Front Panel , Amber LED
D 100 002508	HDP15-2S-B-GSMD-4	Without Front Panel , Green LED

Description

Display with 4 digits 150mm height. SMD LEDs suitable for continuous operation 24h / day and exposure to UV sunlight. Printed Circuit Boards is coated with a special silicone resin whose formula keeps it elastic over time avoiding cracks and infiltrations of humidity, the front panel is thermo-insulated and resistant to sunlight, for LED and components protection.

INCLUDED: Display and cable CAV 000 722

NOT INCLUDED: Controller PGBASE

NOT INCLUDED: Power supply 15VDC

NOTE: The version without front panel protection is recommended only for applications where the front panel consists of a perforated film applied to the plexiglass or a panel perforated by the Customer, for the drilling file corresponding to the LEDs, please contact our technical office.

LED color and luminosity

LED SMD Color	Luminosity
White 6500k	3200 MCD
Amber	2270 MCD
Red	1000 MCD
Green	1200 MCD



LED Bar for the backlighting of fuel product indicators



Description

The HB30A LED bar is suitable for the backlighting of fuel product indicators typically placed near to LED fuel display on the mini totem of service stations.

The exclusive optics with prisms allow to reduce the distance between the plexiglass surface and the LED up to 30 mm while maintaining the homogeneous brightness on opal surface.

The LED bar can be connected directly to the connector on the "2S" series LED fuel price displays and it is automatically switched on and off by the system.

Benefits

- The particular prismatic optic guarantees a perfect uniformity of light.
- Minimize light loss, increasing efficiency.
- 3M adhesive offers greater speed and safety in fixing operations, helping to reduce costs.
- Color Rendering Index Ra: > 80.
- The production date is printed on the product for traceability.
- Integrated current stabilizer for LEDs.

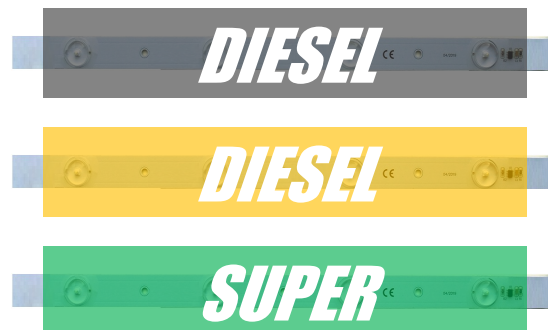
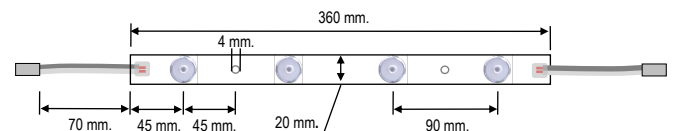
HB30A

Model	Code
HB30A-4W15-S	HTL 000700

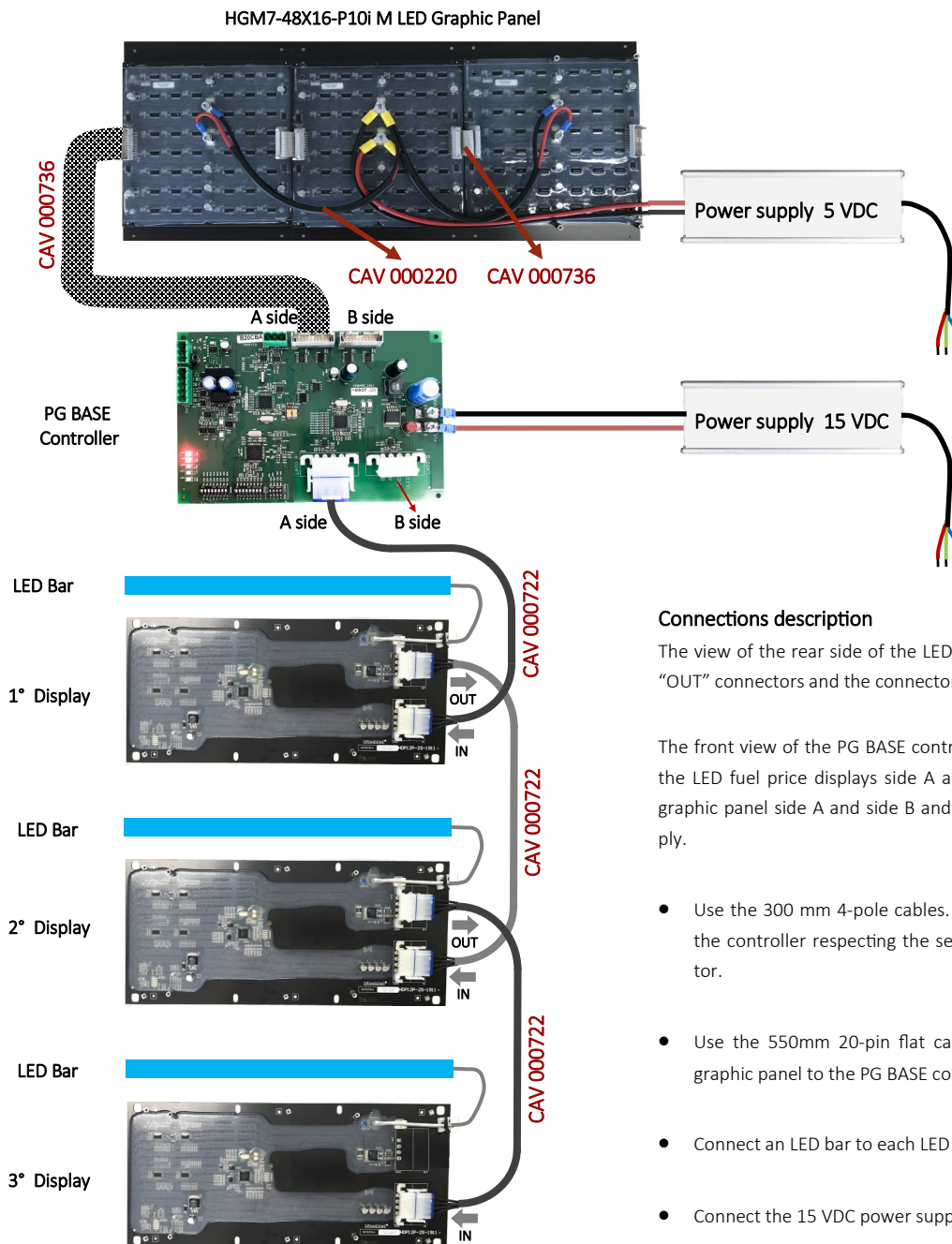
Feature

Operating Voltage	DC 15V
Max Power Consumption (W/Bar)	3,2 W
CCT	6500/7000 k
Luminous Flux	222 Lumen
IP Class	IP 52
Operating Temperature Range	-40 C° ~ +60 C°
Storage Temperature Range	+5 C° ~ +40 C°
Storage Enviroment Humidity	RH < 60%
Viewing Angle	170° Prismi
Life Time (temperature T _c = 75 °C)	50.000h (L70)
Garanzia	3 Anni*

*See terms and conditions



Wiring example of a 3-product system



Connections description

The view of the rear side of the LED fuel price display highlights the 2 "IN" "OUT" connectors and the connector for the LED bar.

The front view of the PG BASE controller highlights the two connectors for the LED fuel price displays side A and side B, the two connectors for the graphic panel side A and side B and the terminal block for the power supply.

- Use the 300 mm 4-pole cables. Connect the LED fuel price displays to the controller respecting the sequence: OUT connector to IN connector.
- Use the 550mm 20-pin flat cable "CAV000736" to connect the LED graphic panel to the PG BASE controller.
- Connect an LED bar to each LED fuel price display.
- Connect the 15 VDC power supply to the PG BASE controller.
- Connect the 5 VDC power supply to the LED graphic panel.

Wiring

LED FUEL PRICE DISPLAY - CABLE SPECIFICATIONS

Code	Length	Wires no.	Description
CAV 000722	300 mm.	4	4-wires cable with 2 connectors and retaining clips for connecting the LED fuel price displays to each other and to the PG BASE controller. (Included as standard equipment)

LED GRAPHIC PANEL - CABLE SPECIFICATION

Code	Length	Wires no.	Description
CAV 000736	550 mm.	20	20-poles flat cable with 2 connectors for connecting the LED graphic panel to the PG BASE controller. (Included as standard equipment)
CAV 000737	40 mm.	20	20-poles flat cable with 2 connectors for the interconnection of LED graphic modules which compose the LED graphic panel. (Included as standard equipment)
CAV 000223	260 mm.	2	2,5 mmq red-black wiring for power with eyelet termination for the interconnection of the LED graphic modules to compose the 32X16 pixel LED graphic panel. (Included as standard equipment)
CAV 000220	520 mm.	2	2,5 mmq red-black wiring for power with eyelet termination for the interconnection of the LED graphic modules to compose the 48X16 pixel LED graphic panel. (Included as standard equipment)

STANDARD EQUIPMENT:

- The LED fuel price display includes the cable: **CAV 000722** as standard equipment
- The LED graphic panel includes the following cables as standard equipment: **CAV 000736**, **CAV 000737**, **CAV 000223** or **CAV 000220**.
- The LED bar is equipped with their own cable with connector

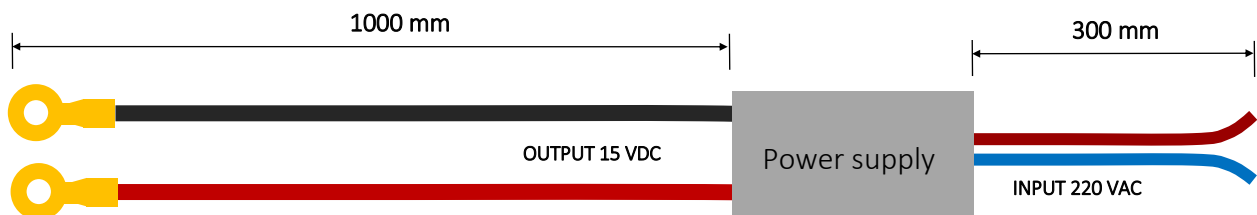
Power supply for LED fuel price display

The tables indicate how many and which type of power supplies are needed to power the quantity of LED fuel price displays chosen to make the mini totem.

CODE	AVAILABLE MODELS	LED FUEL PRICE DISPLAY QUANTITY (Quantity Side A + quantity side B)	POWER SUPPLY
D 100 001240	LPF-60-15 Wired	1+0 HDP10-2S or HDP12-2S or HDP15-2S	LPF-60-15
D 100 001241	HLG-150H-15A Wired	1+1 HDP10-2S or HDP12-2S or HDP15-2S	LPF-60-15
D 100 001242	HLG-240-15 Wired	2+0 HDP10-2S or HDP12-2S or HDP15-2S	LPF-60-15
D 100 001243	HLG-320-15 Wired	2+2 HDP10-2S or HDP12-2S or HDP15-2S	HLG-150H-15
		3+0 HDP10-2S or HDP12-2S or HDP15-2S	LPF-60-15
		3+3 HDP10-2S or HDP12-2S or HDP15-2S	HLG-150H-15
		4+0 HDP10-2S or HDP12-2S or HDP15-2S	HLG-150H-15
		4+4 HDP10-2S or HDP12-2S -	HLG-150H-15
		4+4 HDP15-2S - -	HLG-240-15

POWER SUPPLY WIRING SPECIFICATION

- **INPUT 220 VAC** - The length of the 220V input cable is 30 cm. The connection to the line must be performed by qualified personnel and carried out in compliance with current regulations.
- **OUTPUT 15 VDC** - The two red and black wires with ring termination must be firmly fastened to the screw terminal blocks on the HDP BASE controller.
- **CAUTION !!!** The two red and black output 15VDC wires (1000 mm.) Must NOT be extended to avoid drop voltage.



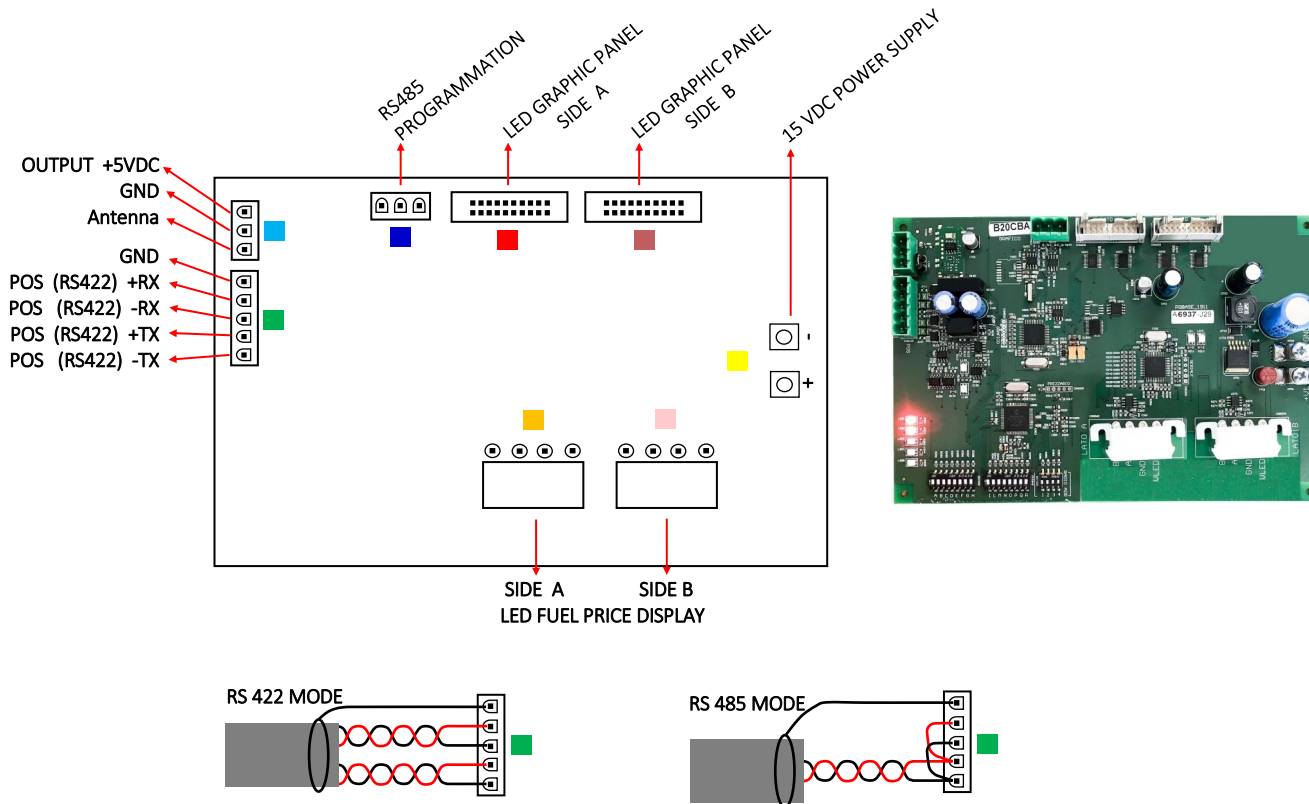
Power supply for LED graphic panel

CODE	MODEL
ALI 000208	HA200-5

The power supply HA200-5 is suitable for LED graphic panels HGM7-32X16-P10i and HGM7-48X16-P10i.

CAUTION !!! The two red and black output 5VDC wires (1000 mm.) Must NOT be extended to avoid drop voltage.

PG BASE - Connection



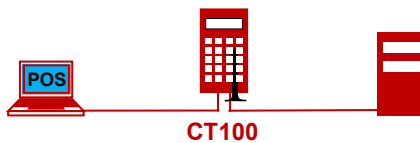
- Serial port terminal block for communication to POS / PC, it can be wired as RS422 or RS485. The communication can take place through innumerable communication protocols selectable on board or by radio control (RDC).
- Terminal block for antenna receiving the signal from the radio control (RDC) and auxiliary output + 5VDC and GND.
- PC connection terminal block for the programming of LED graphic panel.
- LED graphic panel connector, side A of mini totem
- LED graphic panel connector, side B of mini totem
- Terminal block for the 15 VDC power supply connection
- LED fuel price display connector, side A of mini totem
- LED fuel price display connector, side B of mini totem

Programmation systems



RDC

10/50M



CT100



WT868



WR868



CUPW868



WR868



APP



WIFI TCP/IP



APP



GSMR



GSMT



GSMR

RDC REMOTE CONTROL

18-key keyboard, radio frequency, range 10-50m, for manual programming.

KEYBOARD CT100

The CT100 LCD keyboard allows to program the display HDP and manage messages from text or graphic panels, or it can be transparent allowing programming directly from the POS, or both modes simultaneously.

WIRELESS PC

Management of one or more price systems from a PC through the WT868 wireless transmitter, it is suitable for use with the LED PROG software. The use of the remote control is superimposable. max distance is 100m on open field without interference.

WIRELESS POS

Management of one or more price system from POS through the CUPW868 wireless control unit, all protocols are available and the use of the remote control is superimposable. Max distance is 100m on open field.

WIFI

Management of multiple price systems with smartphone, it needs to interpose a TCP/IP interface between the LED price system and the WIFI ROUTER. Install the Android platform application Hi-techled on your smartphone or tablet.

The use of the remote control is superimposable.

SMS

Management of multiple price systems from mobile phones by sending SMS messages via the GSMR receiver unit installed in the monolith.

The use of the remote control is superimposable.

GSM MODEM

Management of multiple LED price systems from PC through the GSM unit, GSMT transmitter connected to PC and the GSMR receiver unit installed in the monolith, it is suitable for use with the LED PROG software. The use of the remote control is superimposable.

Accessories



RDC



CT100



CONV_SU01



TCPIP



WT868



WR868



CUPW868



YAGI868



GSMR



GSMT



LS1



Additional LEDs and functions for + symbol or decimal points in a position other than the standard **













CODE	MODEL	DESCRIPTION	CODE	MODEL	DESCRIPTION
D 100 001032	RDC	Remote Control	D 100 002285	YAGI868	Antenna Yagi
D 100 002322	CT100	LCD Keyboard	O 100 001001	GSMR	GSM Receiver
O 100 003023	TCPIP	RS485/USB - LAN Interface	O 100 003030	GSMT	GSM Transmitter
D 100 002271	WT868	Tx Radiomodem	D 100 002200	CONV_SU01	USB - RS422 Converter
D 100 002272	WR868	Rx Radiomodem	D 100 002284	LS1	Twilight Switch
D 100 002164	CUPW868	Wireless Control Unit	—	**	Additional LEDs and functions

**** Request these variables when ordering, this optional cannot be added later.**

Available Communication Protocols

The communication protocols listed in the table are always available in the HDP BASE controller and they must be selected from the DIP SWITCHES located on the card, or by programming with the remote control.

The operations and the steps to be executed are well described in the instruction booklet.

	<ul style="list-style-type: none"> • PC LEDPRO • HITECH 1200Hz • OMV
	<ul style="list-style-type: none"> • TOKHEIM KA (KOPPENS AUTOMATIC) ver. 4.2 • TOKHEIM JUPITER ST 39
	<ul style="list-style-type: none"> • PROEDA V 21-02-01 / CK
	<ul style="list-style-type: none"> • LOGITRON GILBARCO 70RPLSUPSIT.E04 (PASSPORT EUROPE) • ENI • GILBARCO ESTESO
	<ul style="list-style-type: none"> • SCHEIDT & BACHMANN V11
	<ul style="list-style-type: none"> • SCHENK 68000/68020 ver.2.02 2400 BAUD RATE • SCHENK 68000/68020 ver.2.02 4800 BAUD RATE
	<ul style="list-style-type: none"> • WAYNE DRESSER SYSTEM MARKETER PIGNONE SM2000/3000 • WAYNE DRESSER NUCLEUS 8 - (1200 BAUD RATE MONODIREZIONALE) • WAYNE DRESSER NUCLEUS 9 (9600 BAUD RATE - BIDIREZIONALE) • HITECH_PIGNONE-TON1070S • ENI • WAYNE DRESSER ESTESO BIDIREZIONALE
	<ul style="list-style-type: none"> • IFSF LON WORK (serve un' interfaccia aggiuntiva - needs a interface)
	<ul style="list-style-type: none"> • MASER AUTOMATION
	<ul style="list-style-type: none"> • LAFON - MAGIC 2000
	<ul style="list-style-type: none"> • FORTECH
	<ul style="list-style-type: none"> • ALVIC