



RGB evanescence

HC100RGB is a three channels programmer, red channel, green channel and blue channel to generate colored sequences and fading. The remote control and battery are included as standard equipment. This controller is suitable for the control of RGB LED modules, RGB LED Strips, LED Bars and RGB LED tubes.

Possibility of synchronizing up to 50 programmers controlled by a single remote control, this allows the management of very high loads.

| Model | Code | Functions | Channels No. |
|----------|-----------|----------------------|--------------|
| HC100RGB | HCT000015 | RGB sequences/fading | 3 |

| Model | Code | Accessory |
|----------|-----------|---|
| HC100LAN | CAV000170 | LAN cable for controllers synchronization |

Features

| | |
|--|-----------------|
| Supply voltage | DC 12 ~ 24 VDC |
| Maximun current for each channel | 8 A |
| N. max. controllers connected togheter | 50 pcs |
| Connecting mode | Anodo comune |
| Output | CMOS drain-open |
| IP class | IP20 |
| Ambient temperature range (TA) | -20 C° +60 C° |
| Storage temperature range | -20 C° +60 C° |
| Product dimension | 91x88x24 mm. |
| Packaging dimension | 108x108x50 mm. |
| Gross weight | 320 g. |
| Warranty | 2 Year * |

* See term and conditions

Disclaimer - Data sheet subject to change without notice. Errors and omissions exepcted. Always make sure to use most recent release.

Applications

- Light boxes
- Retail
- General lighting

Benefit

- Remote control
- Quick and easy installation
- Synchronizable up to 50 units
- Automatic sleep mode for battery saving
- Sliding touch control for light dimming
- Colored sequences and fading

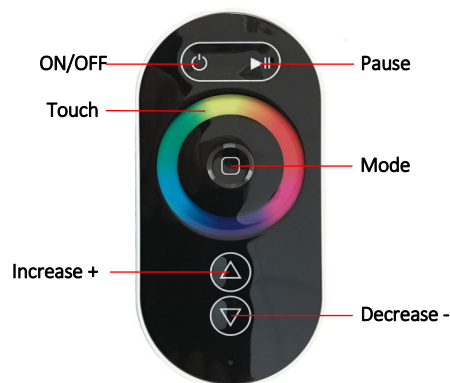


Remote control

| Keys | Functions |
|------------|--|
| ON/OFF | Light on or off |
| Mode | Change sequence with each touch |
| Pause | Pause/Play |
| Increase + | Increase the sequence speed and brightness by pressing |
| Decrease - | Decrease the sequence speed and brightness by pressing |
| Touch | Change the light color by sliding the finger on the ring |

Radio frequency remote control, very intuitive and practical to use, it is equipped with touch control ring for color selection and 5 function keys. If not in use it automatically switch in stand by mode to save the batteries, shake it to wake it up before using.

| No. | Sequences |
|-----|----------------------------|
| 1 | Static white |
| 2 | White flash |
| 3 | White fading |
| 4 | Three colors jump changing |
| 5 | Seven color jump changing |
| 6 | RGB cross evanescence |
| 7 | Seven color evanescence |
| 8 | R/G cross fade |
| 9 | R/B cross fade |
| 10 | G/B cross fade |



Note:

| | |
|---|---|
| 1 | Please insert the supplied AAA batteries, removing the rear door by sliding it gently. |
| 2 | Without any operation more than 20 seconds, the remote control will skip into stand-by phase, shake remote control to activate it before use. |
| 3 | Clean with a slightly damp cloth, do not use aggressive products to avoid damaging the product |

Remote control

Pair the remote control with the controller

Each remote control is supplied with a unique RF code, factory setting.
The controller is opened and can receive from any remote control (type HC100RGB), factory setting.

To set a controller that respond only to one remote control, proceed as follows:

1. Power off the controller, let the LEDs connected to it.
2. Keep **"Mode"** key pressed and power on the controller while the key still pressed , the brightness of the LEDs connected will decrease to 50% to indicate entry into programming mode, then release the key.
3. Press **"Pause"** key 3 times within 5 seconds, the brightness of the LEDs connected to the controller will go down to 25%, then to 10% and at the end it carries out 3 flashes as programming response with success.
4. The same remote control still continue to communicate with all the other HC100RGB controllers installed nearby, so if necessary, repeat the operations described in points 1,2,3 with the other remote control-controller pairs.

Restore the coding as factory

Re-set the control unit to the open condition that it can receive from any remote control (type HC100RGB), as the original factory setting.

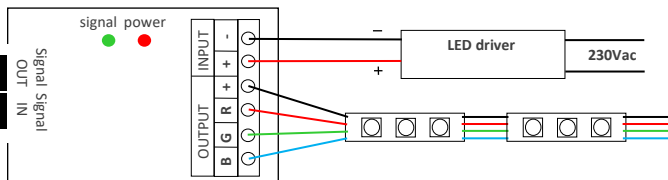
To ensure that a controller responds to any HC100RGB remote control, proceed as follows:

1. Power off the controller, let the LEDs connected to it.
2. Keep **"Mode"** key pressed and power on the controller while the key still pressed , the brightness of the LEDs connected will decrease to 50% to indicate entry into programming mode, then release the key.
3. Press **"Decrease -"** key 3 times within 5 seconds, the brightness of the LEDs connected to the controller will go down to 25%, then to 10% and at the end it carries out 3 flashes as programming response with success.

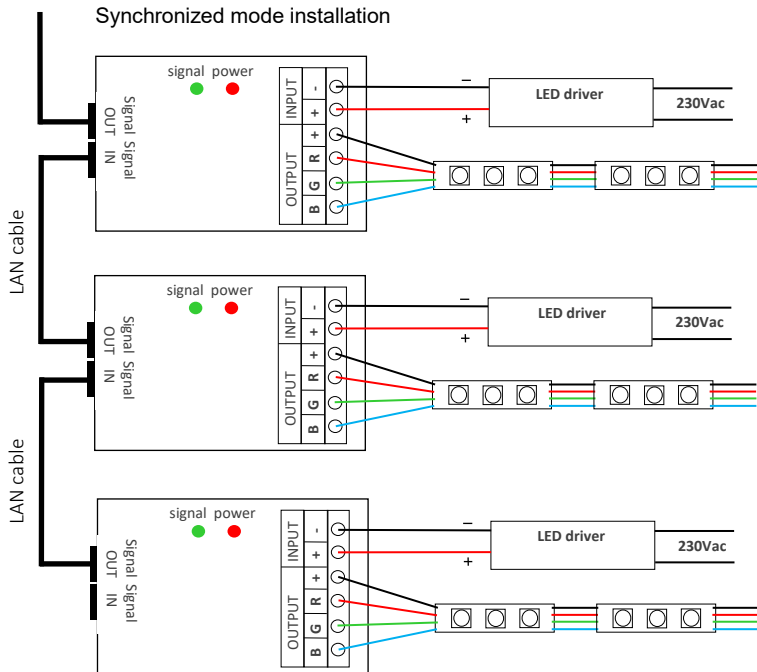


Controller

Stand-alone mode installation

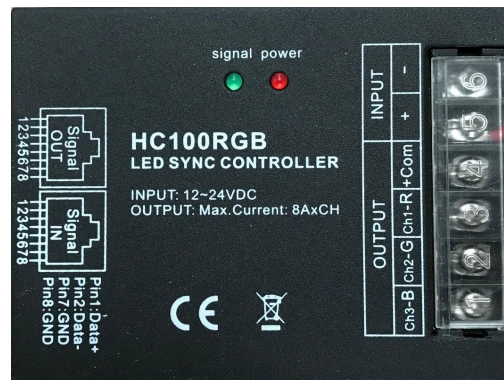


Synchronized mode installation



Connection

| | |
|------------|----------------------------|
| INPUT | Power 12—24VDC |
| OUTPUT | LEDs |
| Ch1-R | RED negative |
| Ch2-G | GREEN negative |
| Ch3-B | Blu negative |
| + Com | Common LED positive |
| + | Positive power |
| - | Negative power |
| Signal Out | Out synchronization signal |
| Signal IN | IN synchronization signal |



Controllers synchrony connection:

1. To synchronize programmers use cable HC100LAN (OPTIONAL).
2. Connect the "Signal OUT" port of the first controller to the "Signal IN" port of the second controller, then the "Signal OUT" port of the second controller to the "Signal IN" port of the third, and so on for all the necessary controllers up to a maximum of 50 pcs.
3. The programmer without "Signal IN" connected will be recognized and set automatically as master programmer and remote control will be operative only with master unit.

Note:

- 1 Do not use unsuitable LAN cables
- 2 **CAUTION !!!** Make sure to make the correct connections as shown in the diagram above before power up the controller. Any incorrect connections could irreparably damage the product.