



## LED Dimmer - Flashing light

HC100D is a single channel dimmer with remote control, suitable for controlling the brightness and flashing of LED modules, LED strips, LED bars and LED tubes.

Possibility of synchronizing up to 50 dimmers controlled by a single remote control, very high load up to 20A.

Model	Code	Function	Channels No.
HC100D	HCT000016	Dimmer - Flashing	1

Model	Code	Accessory
HC100D	CAV000170	LAN cable for controllers synchronization

### Features

Supply voltage	DC 12 ~ 24 VDC
Maximum output current	20 A
N. max. controllers connected together	50 pcs
Output	CMOS drain-open
IP class	IP20
Ambient temperature range (TA)	-20 C° +60 C°
Storage temperature range	-20 C° +60 C°
Product dimension	127x41x32 mm.
Packaging dimension	147x84x74 mm.
Gross weight	245 g.
Warranty	2 Year *

\* See term and conditions

**Disclaimer** - Data sheet subject to change without notice. Errors and omissions excepted. Always make sure to use most recent release.

### Applications

- Light boxes
- Retail
- General lighting

### Benefits

- Remote control
- Quick and easy installation
- Synchronizable up to 50 units
- Automatic sleep mode for battery saving
- Sliding touch control for light dimming
- Flashing light function



### Remote control

Keys	Functions
ON/OFF	Light on or off
Mode	Change sequence with each touch
Increase +	Increase the sequence speed and brightness by pressing
Decrease -	Decrease the sequence speed and brightness by pressing
Touch	Change the brightness level by sliding the finger on the ring



### Sequences

1	The light remains static but the brightness level is variable with "touch" or with "Increase +" and "Decrease -" keys.
2	The light is flashing and the frequency is variable with "Increase" and "Decrease-" keys.
3	The light continuously increases and decreases automatically, the speed is variable with "Increase +" and "Decrease-" keys.

### Note:

3	During flashing action, the function is stopped by touching "touch" and the dimmer function is automatically activated.
---	---

### Note:

1	Please insert the supplied AAA batteries, removing the rear door by sliding it gently.
2	Without any operation more than 20 seconds, the remote control will skip into stand-by phase, shake remote control to activate it before use.
3	Clean with a slightly damp cloth, do not use aggressive products to avoid damaging the product

## Remote control

### Pair the remote control with the controller

Each remote control is supplied with a unique RF code, factory setting.  
The controller is opened and can receive from any remote control (type HC100D), factory setting.

To set a controller that respond only to one remote control, proceed as follows:

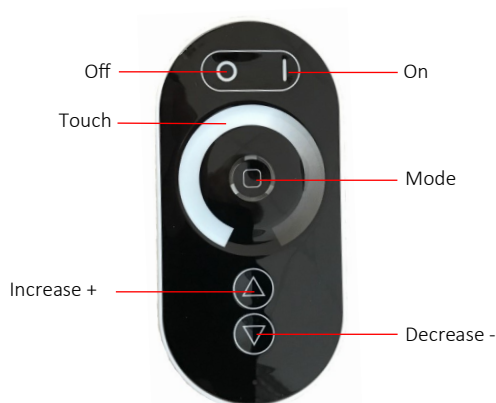
1. Power off the controller, let the LEDs connected to it.
2. Keep **"Mode"** key pressed and power on the controller while the key still pressed , the brightness of the LEDs connected will decrease to 50% to indicate entry into programming mode, then release the key.
3. Press **"ON"** key 3 times within 5 seconds, the brightness of the LEDs connected to the controller will go down to 25%, then to 10% and at the end it carries out 3 flashes as programming response with success.
4. The same remote control still continue to communicate with all the other HC100D controllers installed nearby, so if necessary, repeat the operations described in points 1,2,3 with the other remote control-controller pairs.

### Restore the coding as factory

Re-set the control unit to the open condition that it can receive from any remote control (type HC100D), as the original factory setting.

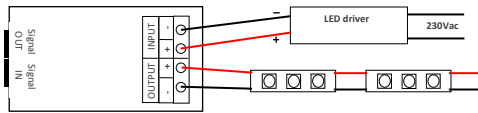
To ensure that a controller responds to any HC100D remote control, proceed as follows:

1. Power off the controller, let the LEDs connected to it.
2. Keep **"Mode"** key pressed and power on the controller while the key still pressed , the brightness of the LEDs connected will decrease to 50% to indicate entry into programming mode, then release the key.
3. Press **"Decrease-"** key 3 times within 5 seconds, the brightness of the LEDs connected to the controller will go down to 25%, then to 10% and at the end it carries out 3 flashes as programming response with success.

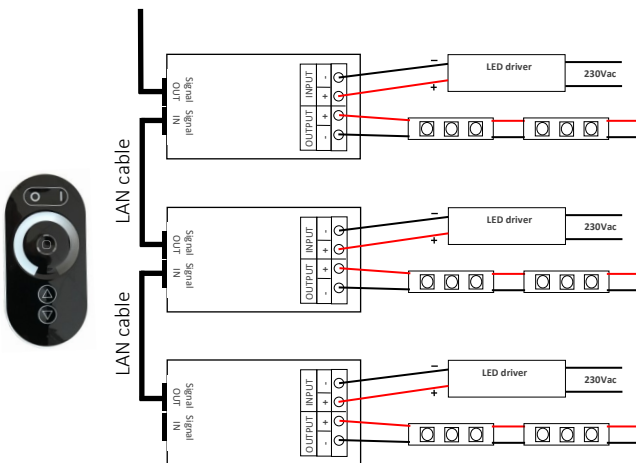


**Controller**

**Stand-alone mode installation**



**Synchronized mode installation**



**Connection**

INPUT +	Positive power 12—24VDC
INPUT -	Negative power 12—24VDC
OUTPUT +	Positive LEDs
OUTPUT -	Negative LEDs
Signal Out	Out synchronization signal
Signal IN	IN synchronization signal

**Controllers synchrony connection:**

1. To synchronize programmers use cable HC100LAN (OPTIONAL).
2. Connect the "Signal OUT" port of the first controller to the "Signal IN" port of the second controller, then the "Signal OUT" port of the second controller to the "Signal IN" port of the third, and so on for all the necessary controllers up to a maximum of 50 pcs.
3. The programmer without "Signal IN" connected will be recognized and set automatically as master programmer and remote control will be operative only with master unit.

**Note:**

- 1 Do not use unsuitable LAN cables
- 2 **CAUTION !!!** Make sure to make the correct connections as shown in the diagram above before power up the controller. Any incorrect connections could irreparably damage the product.