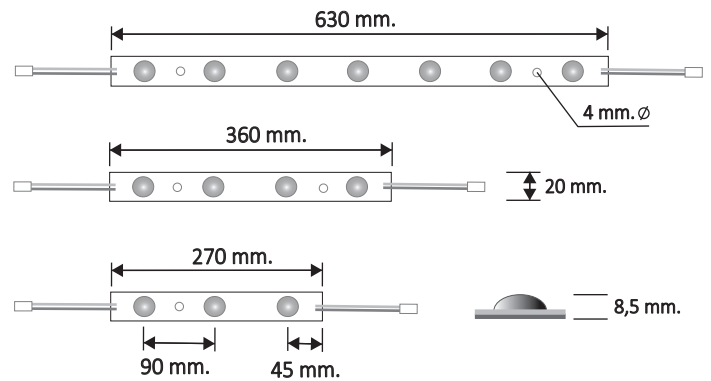



Data sheet



Model	Code	Colour	CCT / λ
HB30A-7W24S	HTL 000681	White	6500/7000 k
HB30A-7NW24S	HTL 000682	Natural white	3700/4200 k
HB30A-7WW24S	HTL 000683	Wharm white	2900/3200 k
HB30A-4W24S	HTL 000684	White	6500/7000 k
HB30A-4NW24S	HTL 000685	Natural white	3700/4200 k
HB30A-4WW24S	HTL 000686	Wharm white	2900/3200 k
HB30A-3W24S	HTL 000687	White	6500/7000 k
HB30A-3NW24S	HTL 000688	Natural white	3700/4200 k
HB30A-3WW24S	HTL 000689	Wharm white	2900/3200 k

Features

Operating Voltage	DC 24 V
Wattage (W/bar)	3,2 W
International protection level	IP30
Operating temperature range	40 C° ~ +60 C°
Storage temperature range	+5 C° ~ +40 C°
Storage enviroment humidity	RH < 60%
IEC protection class (with SELV power supply)	Class III
Viewing angle	160° Prisms
Life time (temperature Tc = 75 °C)	50.000h (L70)
Consistent white light	3-step MacAdam
Warranty (See terms and contitions)	 3 Years

Description

The "HB30A" series includes 9 different LED bars models with exclusive optics, the bars are particularly suitable for small tickness light boxes as well as for generic backlighting applications.

Applications

- Signage and illuminate advertising.
- Backlighting of single sided light boxes, deep 30mm. to 80 mm.
- Textile light boxes applications.
- Architectural and decorative applications.

Benefits

- The particular optics guarantees perfect light uniformity, minimizing light loss, increasing the efficiency.
- Minimizza la perdita luminosa aumentando l'efficienza.
- 3M adhesive with the appropriate protection provides greater safety and quick fixing operations, contributing to cost reduction.
- Color rendering index Ra: >80.
- Consistent white light 3-step MacAdam.
- Production date is marked on top side for traceability.
- Constant current driving system is integrated.



50.000 h



3 Years Warranty



24 VDC



RoHS



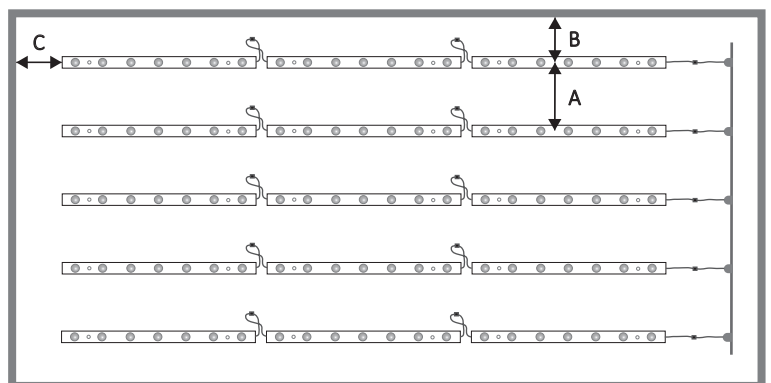
Electrical and photometrical datas

Model	Nominal Voltage	Voltage range	Accidental reverse input voltage protection up to	Nominal wattage per bar	Luminous flux (Lumen)	No. max. bars connected to each other's
HB30A-7W24S	24 VDC	23...25 VDC	25 VDC	3,2 W	390 Lm	8 pcs
HB30A-7NW24S	24 VDC	23...25 VDC	25 VDC	3,2 W	386 Lm	8 pcs
HB30A-7WW24S	24 VDC	23...25 VDC	25 VDC	3,2 W	384 Lm	8 pcs
HB30A-4W24S	24 VDC	23...25 VDC	25 VDC	3,2 W	222 Lm	8 pcs
HB30A-4NW24S	24 VDC	23...25 VDC	25 VDC	3,2 W	220 Lm	8 pcs
HB30A-4WW24S	24 VDC	23...25 VDC	25 VDC	3,2 W	218 Lm	8 pcs
HB30A-3W24S	24 VDC	23...25 VDC	25 VDC	3,2 W	167 Lm	8 pcs
HB30A-3NW24S	24 VDC	23...25 VDC	25 VDC	3,2 W	165 Lm	8 pcs
HB30A-3WW24S	24 VDC	23...25 VDC	25 VDC	3,2 W	163 Lm	8 pcs


Bar positioning (aproximative indications)


Box depth	Distance A	Distance B and C	Typical luminance
30 mm	80 mm.	40 mm.	1000 Cd/m ²
50 mm.	120 mm.	60 mm.	600 Cd/m ²
60 mm.	150 mm.	70 mm.	500 Cd/m ²
80 mm.	170 mm.	80 mm.	380 Cd/m ²
90 mm.	200 mm.	100 mm.	300 Cd/m ²
100 mm.	200 mm.	100 mm.	280 Cd/m ²


luminance is measured on tensioned textile surface



This product comply with the following European Standard: (download pdf)

 EMC - Directive 2014/30/EU
 EN 55015:2013/A1:2015
 EN 61547:2009

 General safety requirement for luminaires
 EN 60598-2-20:2015 used in conjunction with EN 60598-1:2015+A1:2018
 EN 62031:2020. IEC TR 62778:2014

 RoHS - Directive 2011/65/EU
 IEC 62031

Wiring HW12-6 (optional)

Main cable lenght	1650 mm.	Main cable diameter	AWG 16
Branch cable lenght	200 mm.	Branch cable diameter	AWG 18
No. branch cables	12	Distance between branche cables	120 mm.
Max. bars connected to each branch	8	Two ends wire lenght	400 mm.
Storage temperature range	0 C°~ +70 C°	Connector with locking	Yes
Operative temperature range	-30 C°~ +80 C°	Fixing holes	Yes

Coding

Model	Code
HW12-6	HTL 000385

Wiring lenght

We recommend connecting the LED driver directly to one end of main cable without any additional cable. If this will not possible, the additional cable must be sizes so that the voltage drop does not below the limit described in the electrical data table.

