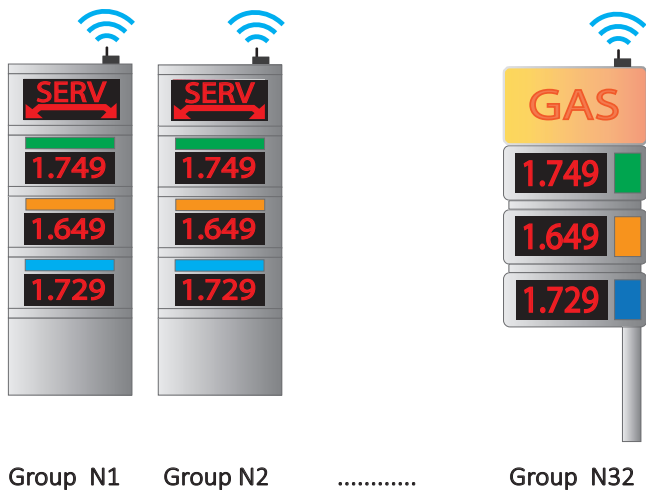


Data Sheet

DEVICE FOR WIRELESS CONTROL OF PRICES AND MESSAGES ON THE LED DISPLAYS PRESENT ON THE PETROL STATION



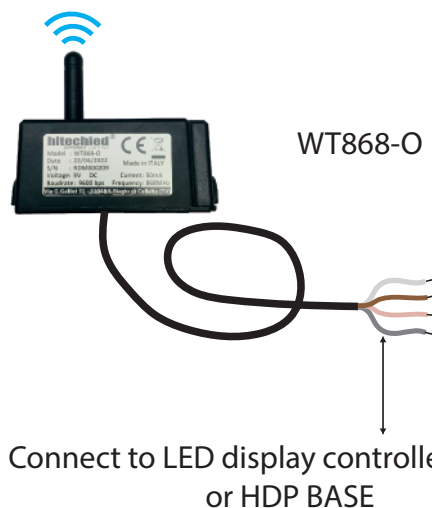
DESCRIPTION

The CT100-W is not just a keyboard with a bright LCD display from which to type prices, but it is much more. By connecting the CT100-W to the POS, in fact, it can detect the prices of the products through the communication protocol selected from the many protocols available (see protocols on page communication protocols) and the command for changing graphics (where the protocol provides for it).

The connection modes available: RS232; RS422; RS485.

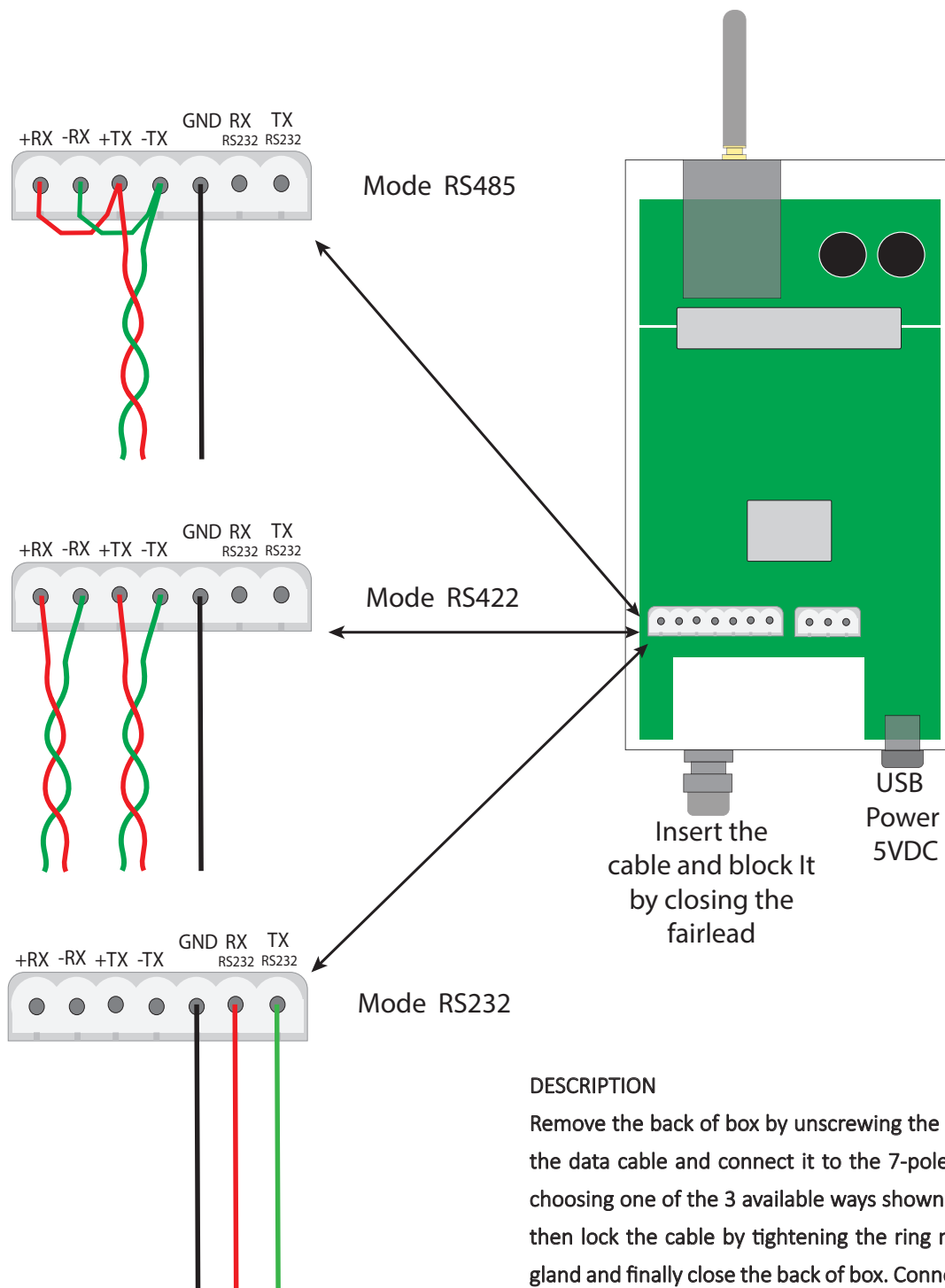
The CT100-W continuously sends the prices via radio waves, maintaining all the displays of the petrol station always updated.

A WT868-O receiver module must be installed on each display group (Flags and totems), up to a maximum of 32 units.



Connect to POS by choosing: RS232 / RS422 / RS485 mode,
All communication protocols are available and selectable
(See connections to Page 2)

CONNECTION TO THE POS USING ONE OF THE 3 AVAILABLE CONNECTION MODES

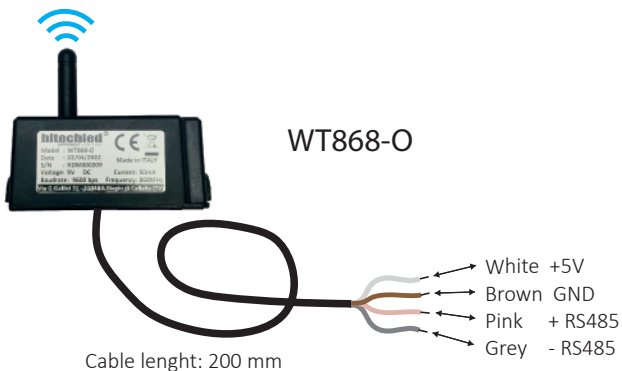


DESCRIPTION

Remove the back of box by unscrewing the 4 screws, insert the data cable and connect it to the 7-pole terminal block choosing one of the 3 available ways shown in the diagram, then lock the cable by tightening the ring nut of the cable gland and finally close the back of box. Connect the supplied power supply to the USB socket of the handheld.

FOLLOW THE INSTRUCTIONS SUPPLIED FOR THE SETTINGS.

CONNECTION OF THE WT868-O RECEIVER MODULE TO THE CONTROLLER OF LED PRICE DISPLAY

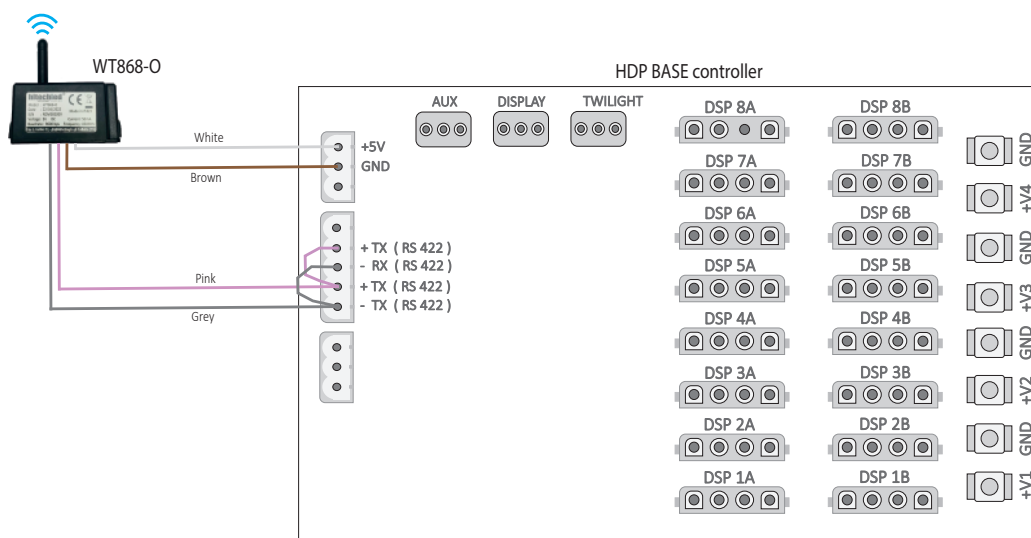
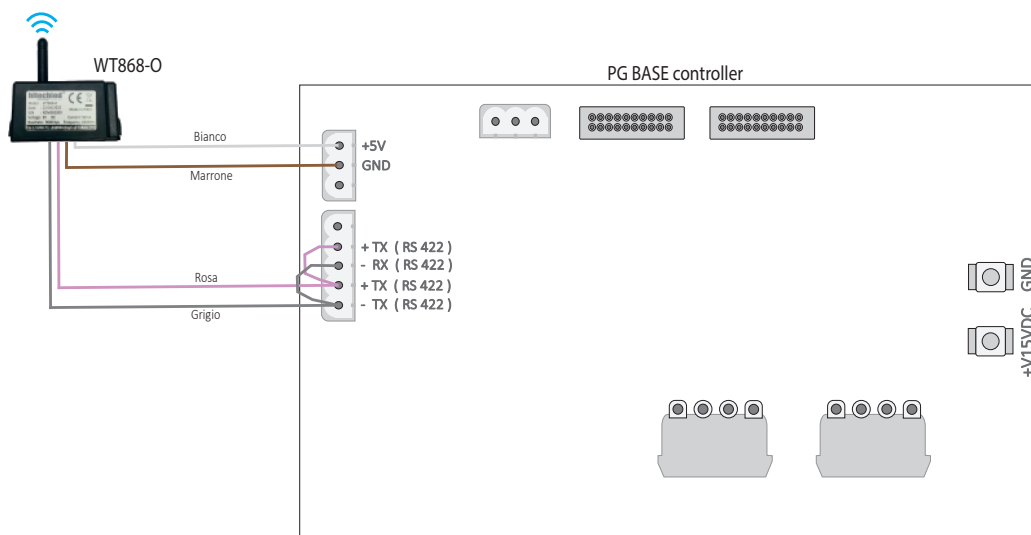


DESCRIZIONE

Il modulo WT868-O va installato in una posizione aperta, non coperta da parti metalliche, per esempio sulla parte superiore dei carter .

Sul centro della base del modulo esce il cavo da collegare alla scheda di controllo.

Su 2 angoli del modulo sono presenti dei fori per il fissaggio, utilizzare viti M3.



Data Sheet

CHARACTERISTICS:

Model	Code	Description
CT100-W	D 100 002582	WIRELESS sender device

Features

Power	DC 5 V
Communication modes	RS232/422/485



Model	Code	Description
WT868-O	D 100 002583	WIRELESS receiver device

Features

Power	DC 5 V
Communication modes	RS485



MAXIMUM DISTANCE

The range of the system is approximately 100 linear meters.

The receivers must be mounted in the upper part of the totems in such a way that the antenna is free from metal barriers.

COMMUNICATION PROTOCOLS AVAILABLE AND SELECTABLE FROM THE CT100-W :



- LOGITRON GILBARCO 70RPLSUPSIT.E04 (PASSPORT EUROPE)
- ENI
- GILBARCO ESTESO



- FORTECH



- WAYNE DRESSER SYSTEM MARKETER PIGNONE SM2000/3000
- WAYNE DRESSER NUCLEUS 8 (1200 BAUD RATE MONODIREZIONALE)
- WAYNE DRESSER NUCLEUS 9 (9600 BAUD RATE BIDIREZIONALE)
- HITECH_PIGNONE-TON1070S
- ENI
- WAYNE DRESSER ESTESO BIDIREZIONALE



- TOKHEIM KA (KOPPENS AUTOMATIC) ver. 4.2
- TOKHEIM JUPITER ST 39



- PC LEDPRO
- HITECH 1200Hz
- OMV



- PROEDA V21-02-01/CK



- SCHEIDT & BACHMANN V11



- SCHENK 68000/68020 ver.2.02 2400 BAUD RATE
- SCHENK 68000/68020 ver.2.02 4800 BAUD RATE



- MASER AUTOMATION



- LAFON - MAGIC 2000



- ALVIC

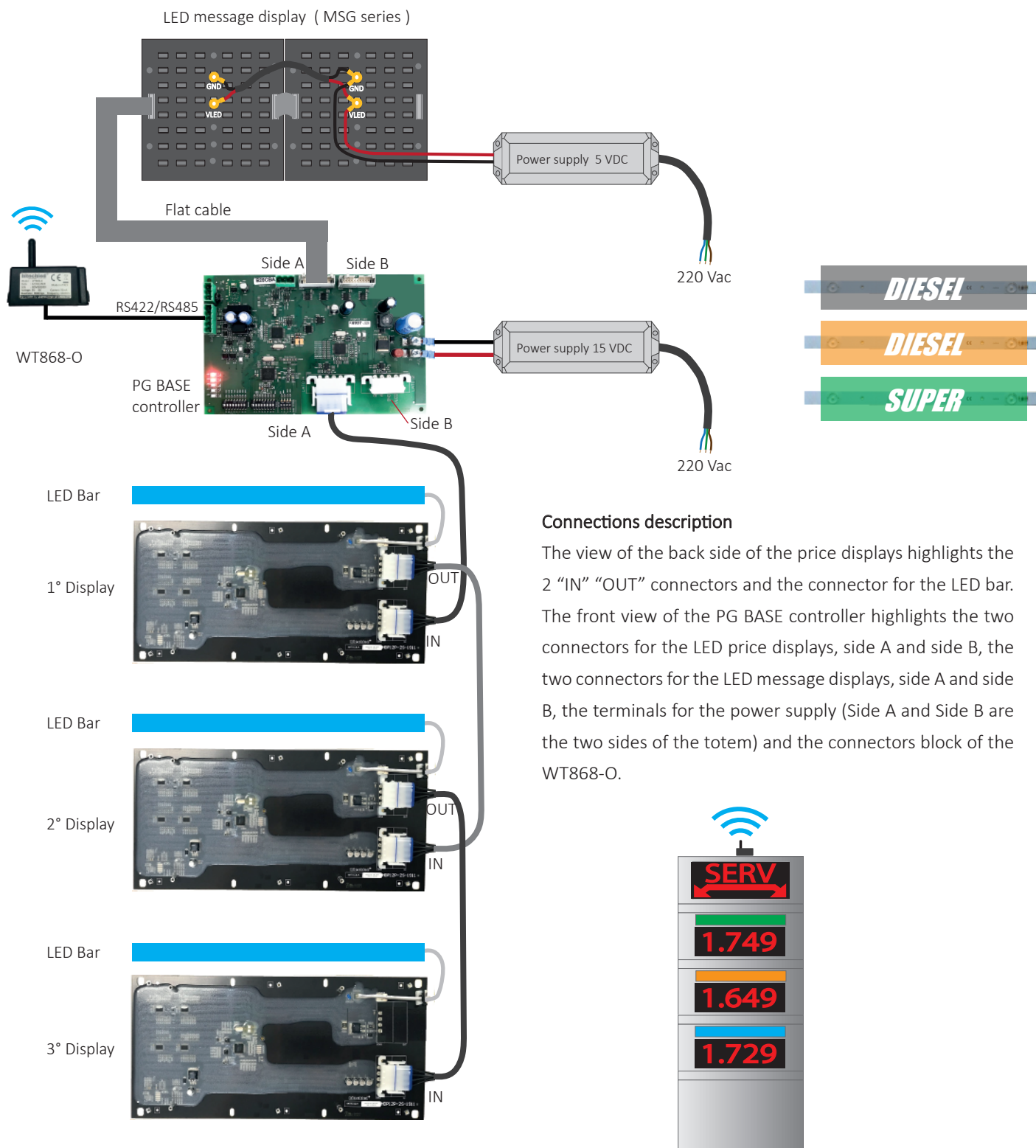


- WARESOFT



- IFSF LON WORK (It needs an additional interface)

EXAMPLE OF WIRING FOR A GROUP OF 3 LED PRICES DISPLAYS, INCLUDED A LED MESSAGE DISPLAY AND THE LED BARS FOR THE PRODUCTS INDICATORS BACKLIGHTING



Connections description

The view of the back side of the price displays highlights the 2 "IN" "OUT" connectors and the connector for the LED bar. The front view of the PG BASE controller highlights the two connectors for the LED price displays, side A and side B, the two connectors for the LED message displays, side A and side B, the terminals for the power supply (Side A and Side B are the two sides of the totem) and the connectors block of the WT868-O.