



## ALKA 40

Model	Code	Colour	CCT	Lumen
ALKA 40-C-1	LHT 000044	White	5700 k	3970
ALKA-40-N-2	LHT 000056	Natural White	4000 k	3970

## Features

Power	44 W
Supply voltage	90 - 304 Vac ( 50/60 Hz )
IP Class	IP66
Light source	4 LED multichip by Nichia
Temperatura colore LED	C = 5700k N = 4000k
CRI	1 = CRI 75 2 = CRI 83
Optics	Symmetric 77°
Ambient temperature range (TA)	-40 C° +60 C°
Storage temperature range	-40 C° +70 C°
Storage humidity range	0-95% Rh
Photobiological risk group EN 62471: 2008	Exempt group
IEC protection class	Class 1
Dimension	300x300x65,5 mm
Weight	3.3 kg
Median useful life at L70	80.000h
Surface treatment, color	Cataphoresis, White
Warranty	5 Year *

\* See terms and conditions

Alka 40 is an excellent solution to illuminate the petrol stations in a safe and comfortable way, the right power and the particular optical to focus the light beam at 77 ° allow adequate and homogeneous lighting, moreover the backward position of LEDs into the reflectors which are obtained by the modellation of metal surface minimizes the glare problem, the painting of the frame with anti-corrosion cataphoresis treatment and the integrated surge protection device (Surge) make the product a lasting good drastically reducing the maintenance cost.

## Applications

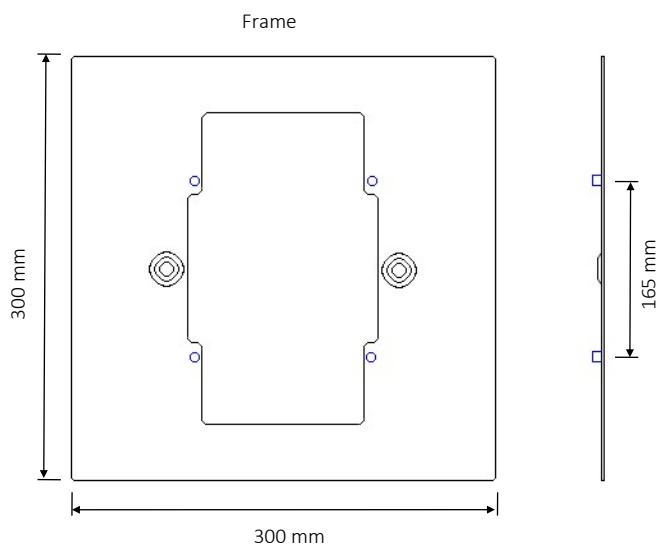
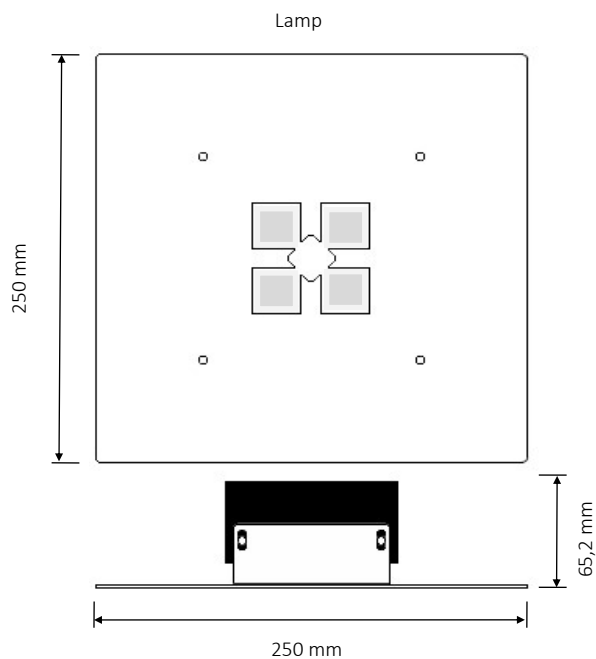
- Petrol stations
- Industrial and commercial areas
- Sport centers

## Benefits

- Recessed Luminaire
- Hig efficiency LED with low luminous decay.
- Modern and compact metal structure
- Anti-corrosion cataphoresis treatment
- Quick and safety installation with frame and brackets
- Surges protection
- Anti-glare reflectors
- Symmetric optics

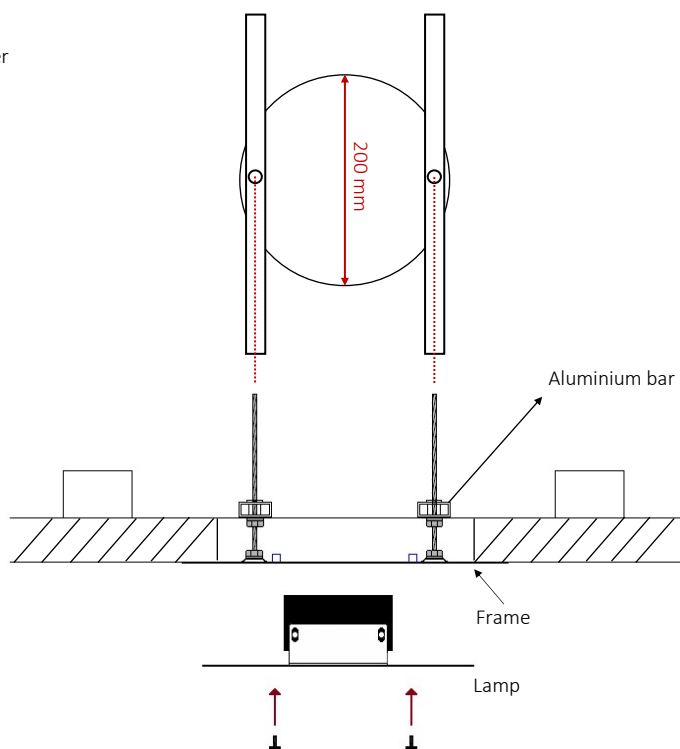
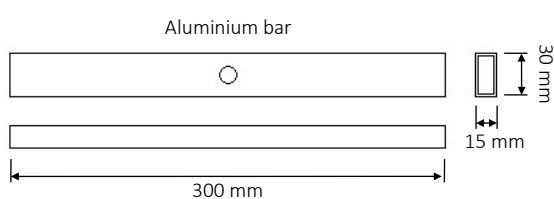


Dimension

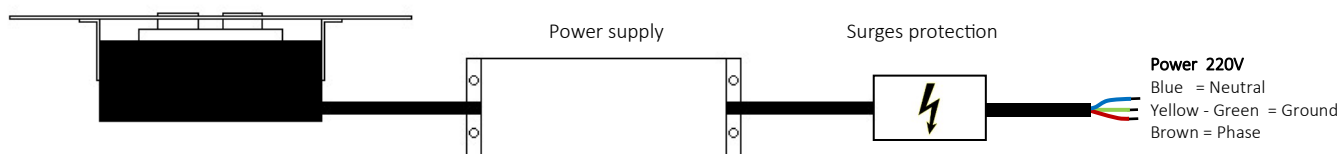


### Installation

- Drill a round hole on the slats of false ceiling with a diameter of 200 mm.
- Positionate 2 aluminium bars over the slats.
- Fasten the frame to the aluminium bars located above the ceiling slats using the 2 long screws provided.
- Connect the power supply and fix the lamp to the frame using the 4 M4 screws provided.



### Connection to line



### Disclaimer

Data sheet is subject to change without notice. Errors and omission excepted. Always make sure to use the most recent release.